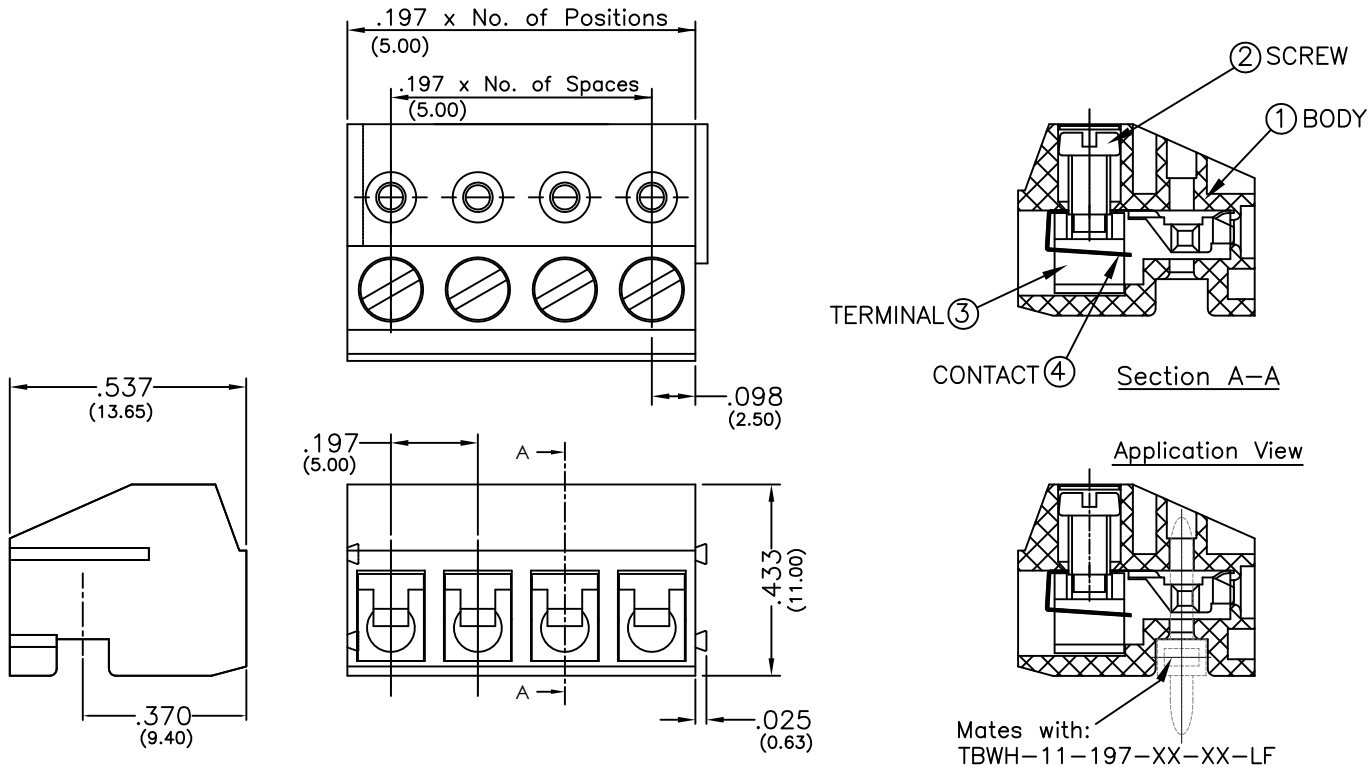


Major League Electronics .197 cl Wire Protector Terminal Blocks



Ordering Information

TBW-11- **197** - **XX** - **XX** - **LF** ↳ Lead Free

Pitch
197 = .197 (5.00) cl

No. of Positions
02 - 24

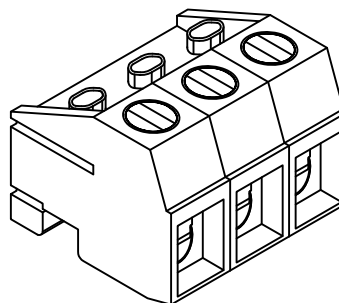
- Color
- GR = Green (Standard)
 - BK = Black
 - BL = Blue
 - WH = White
 - GY = Grey
 - OR = Orange
 - YW = Yellow
 - RD = Red
 - BR = Brown

Specifications

- Current Rating: 10 Ampere
- Voltage Rating: AC 250V
- Wire Range: 14-24 AWG
- Dielectric Withstanding Voltage: AC 2500V/1 minute
- Insulation Resistance: DC 500V 500MΩ
- Operating Temperature: -33°C to + 105°C
- Strip Length: .197-.236 (5-6mm)
- Max Torque: 3.04 lb-in (3.5kgf. cm)

Materials

1. Body: PA66 (Nylon), UL94 V-0
2. Screw: M2.5*P0.45, C1018 Steel, Zinc Plated
3. Terminal: Brass, Nickel Plated
4. Contact: Phosphor Bronze, Tin Plated



Mates With:
TBWH-11-197-XX-XX-LF

Parts are subject to change without notice

TBW-11-197-XX-XX-LF	.197cl Wire Protector Terminal Block Interlock	05 DEC 08	Scale NTS
<small>UNLESS OTHERWISE SPECIFIED DIMENSIONS IN INCHES (MM) TOLERANCES IN INCHES:</small> <small>ONE DECIMAL PLACE ±0.30 TWO DECIMAL PLACE ±0.20 THREE DECIMAL PLACE ±0.15 FOUR DECIMAL PLACE ±0.10</small>		4235 Earnings Way, New Albany, Indiana, 47150, USA 1-800-782-3486 (USA/Canada/Mexico) Tel: 812-944-7244 Fax: 812-944-7268 E-mail: mle@mlelectronics.com Web: www.mlelectronics.com	
		Revision B	Sheet 1/2

Revisions

Revision B - (23rd Mar 2010)

Side view added,
Dimension added .370 (9.40),
Dielectric Withstanding Voltage amended to AC2500V/1 minute,
Insulation Resistance amended to DC 500V 500MΩ,
Strip length information added

Parts are subject to change without notice

TBW-11-197-XX-XX-LF

.197cl Wire Protector Terminal Block
Interlock

05 DEC 08

Scale
NTS

UNLESS OTHERWISE SPECIFIED
DIMENSIONS IN INCHES (MM)
TOLERANCES IN INCHES:

ONE DECIMAL PLACE ±0.30
TWO DECIMAL PLACE ±0.20
THREE DECIMAL PLACE ±0.15
FOUR DECIMAL PLACE ±0.10



4235 Earnings Way, New Albany, Indiana, 47150, USA
1-800-782-3486 (USA/Canada/Mexico)
Tel: 812-944-7244
Fax: 812-944-7268
E-mail: mle@mlelectronics.com
Web: www.mlelectronics.com

Revision
B

Sheet
2/2