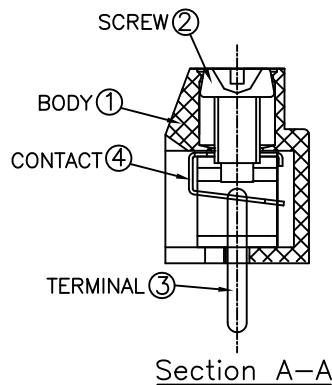
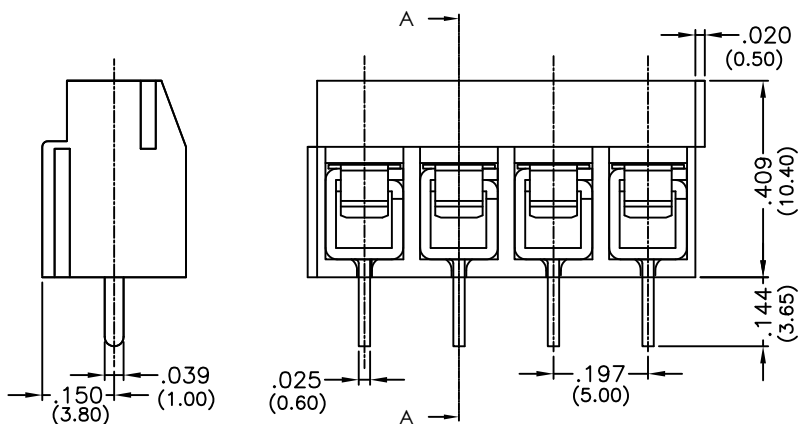
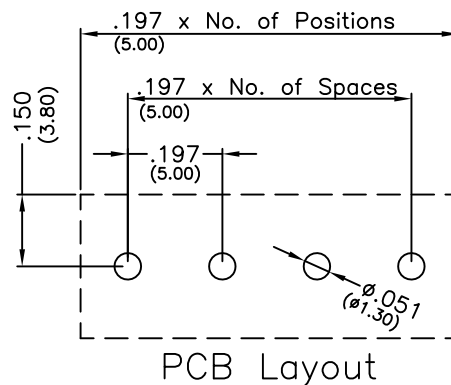
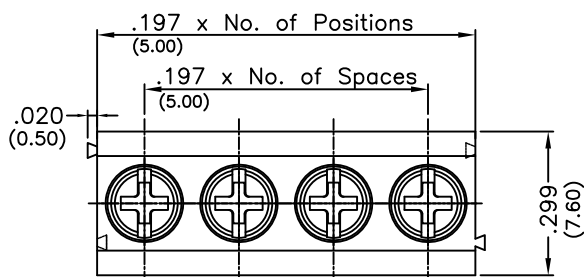


# Major League Electronics .197 cl Wire Protector Terminal Blocks



## Ordering Information

TBW-04-197-XX-XX-LF

Pitch  
197 = .197 (5.00) cl

No. of Positions  
02 - 24

LF — Lead Free

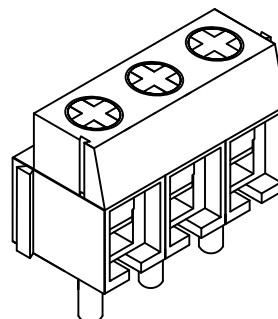
- Color
- GR = Green (Standard)
  - BK = Black
  - BL = Blue
  - WH = White
  - GY = Grey
  - OR = Orange
  - YW = Yellow
  - RD = Red
  - BR = Brown

## Specifications

- Current Rating: 10 Ampere
- Voltage Rating: AC 250V
- Wire Range: 14-24 AWG
- Dielectric Withstanding Voltage: AC 1500V/1 minute
- Insulation Resistance: DC 500V 500MΩ
- Operating Temperature: -33°C to + 105°C
- Max Torque: 3.04 lb-in (3.5kgf. cm)
- Strip Length: .236-.276 (6-7mm)

## Materials

1. Body: PA66 (Nylon), UL94 V-0
2. Screw: M2.5, C1018 Steel, Zinc Plated
3. Terminal: H62 Brass, Tin Plated
4. Contact: SUS301 Stainless Steel



Parts are subject to change without notice

TBW-04-197-XX-XX-LF

.197cl Wire Protector Terminal Block  
Interlock

03 DEC 08

Scale  
NTS

UNLESS OTHERWISE SPECIFIED  
DIMENSIONS IN INCHES (MM)  
TOLERANCES IN INCHES:

ONE DECIMAL PLACE ±0.30  
TWO DECIMAL PLACE ±0.20  
THREE DECIMAL PLACE ±0.15  
FOUR DECIMAL PLACE ±0.10



4235 Earnings Way, New Albany, Indiana, 47150, USA  
1-800-782-3486 (USA/Canada/Mexico)  
Tel: 812-944-7244  
Fax: 812-944-7268  
E-mail: mle@mlelectronics.com  
Web: www.mlelectronics.com

Revision  
B

Sheet  
1/2

