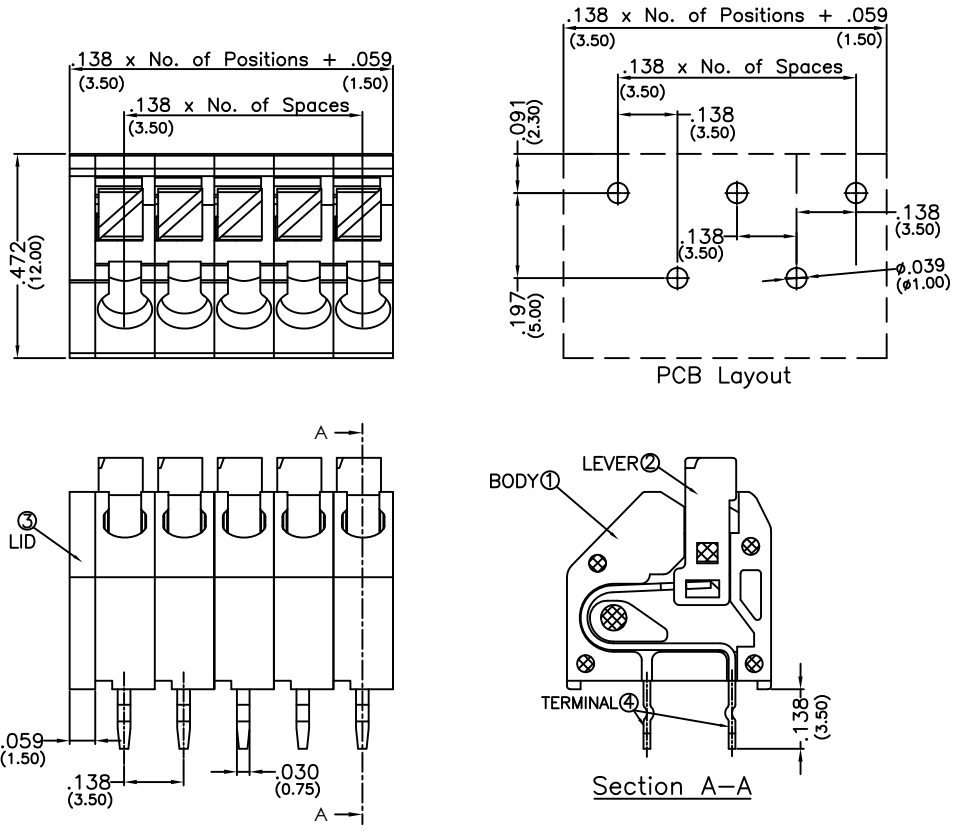
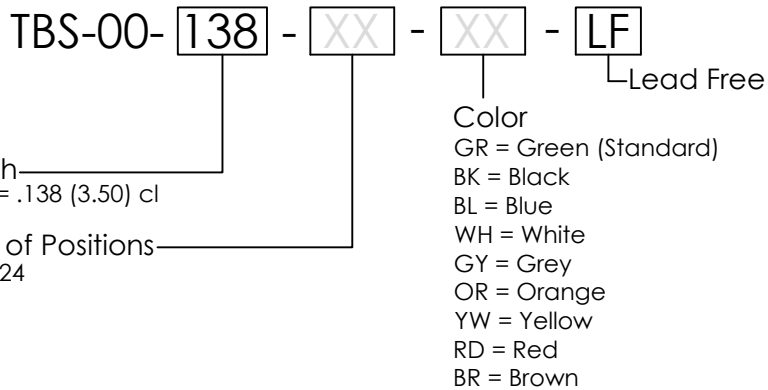


Major League Electronics .138 cl Screwless Terminal Blocks



Ordering Information

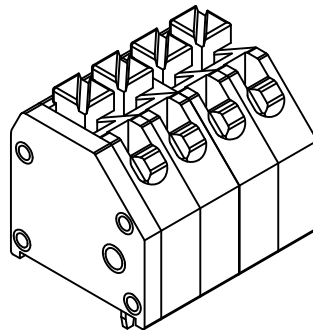


Specifications

Current Rating: 5 Ampere
 Voltage Rating: AC 300V
 Wire Range: 16-20 AWG
 Dielectric Withstanding Voltage: AC 2500V/1 minute
 Insulation Resistance: DC 500V 500MΩ
 Operating Temperature: -33°C to + 105°C
 Strip Length: .236-.276 (6-7mm)

Materials

1. Body: PA66 (Nylon), UL94 V-0
2. Lever: PA66 (Nylon), UL94 V-0
3. Side Lid: PA66 (Nylon), UL94 V-0
4. Terminal: C5210R-EH Phosphor Bronze, Tin Plated



Parts are subject to change without notice

TBS-00-138-XX-XX-LF

.138cl Screwless Terminal Block
Interlock

20 NOV 08

Scale
NTS

UNLESS OTHERWISE SPECIFIED
DIMENSIONS IN INCHES (MM)
TOLERANCES IN INCHES:

ONE DECIMAL PLACE ±0.30
 TWO DECIMAL PLACE ±0.20
 THREE DECIMAL PLACE ±0.15
 FOUR DECIMAL PLACE ±0.10



4235 Earnings Way, New Albany, Indiana, 47150, USA
 1-800-782-3486 (USA/Canada/Mexico)
 Tel: 812-944-7244
 Fax: 812-944-7268
 E-mail: mle@mlelectronics.com
 Web: www.mlelectronics.com

Revision
C

Sheet
1/2


Revisions

Revision B - (27th Mar 2009)

Amendment to PCB hole diameter from .043 (1.10) to .039 (1.00)

Revision C - (23rd Mar 2010)

Side view and Wire insertion angle added

	TBS-00-138-XX-XX-LF	.138cl Screwless Terminal Block Interlock	20 NOV 08	Scale NTS
<small>UNLESS OTHERWISE SPECIFIED DIMENSIONS IN INCHES (MM) TOLERANCES IN INCHES:</small> <small>ONE DECIMAL PLACE ±0.30 TWO DECIMAL PLACE ±0.20 THREE DECIMAL PLACE ±0.15 FOUR DECIMAL PLACE ±0.10</small>		4235 Earnings Way, New Albany, Indiana, 47150, USA 1-800-782-3486 (USA/Canada/Mexico) Tel: 812-944-7244 Fax: 812-944-7268 E-mail: mle@mlelectronics.com Web: www.mlelectronics.com	Revision C	
			Sheet 2/2	