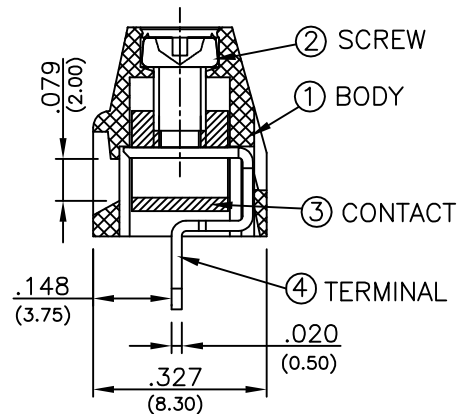
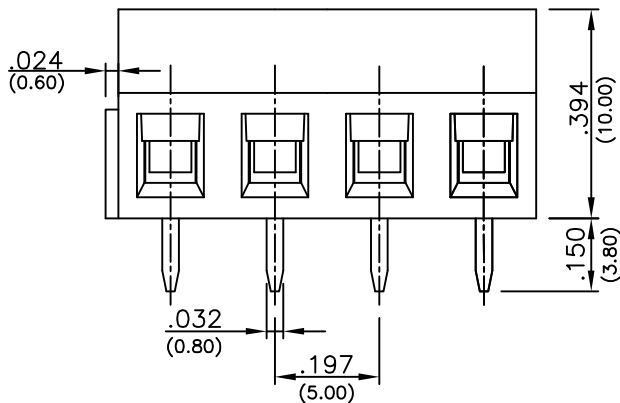
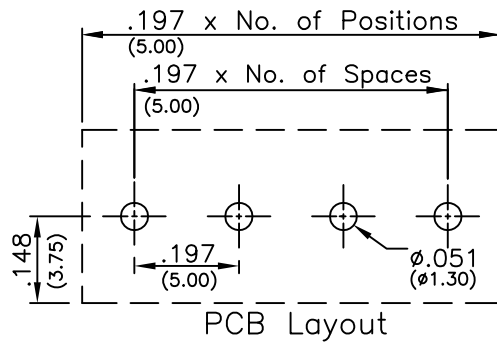
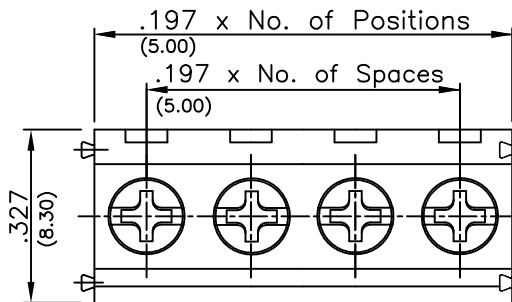


Major League Electronics .197 cl Rising Clamp Terminal Blocks



Ordering Information

TBR-04-197-XX-XX-LF

Lead Free

Pitch
197 = .197 (5.00) cl

No. of Positions
02 - 24

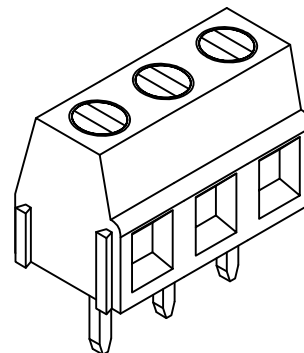
Color
GR = Green (Standard)
BK = Black
BL = Blue
WH = White
GY = Grey
OR = Orange
YW = Yellow
RD = Red
BR = Brown

Specifications

Current Rating: 10 Ampere
Voltage Rating: AC 250V
Wire Range: 16-24 AWG
Dielectric Withstanding Voltage: AC 2000V/1 minute
Insulation Resistance: DC 500V 1000M Ω
Operating Temperature: -33°C to + 105°C
Max Torque: 3.04 lb-in (3.5kgf. cm)
Strip Length: .236-.315 (6-8mm)

Materials

1. Body: PA66 (Nylon), UL94 V-0
2. Screw: M2.0, C1018 Steel, Zinc Plated
3. Contact: Brass, Nickel Plated
4. Terminal: Brass, Tin Plated



Parts are subject to change without notice

TBR-04-197-XX-XX-LF

.197cl Rising Clamp Terminal Block
Interlock

04 DEC 08

Scale
NTS

UNLESS OTHERWISE SPECIFIED
DIMENSIONS IN INCHES (MM)
TOLERANCES IN INCHES:

ONE DECIMAL PLACE ± 0.30
TWO DECIMAL PLACE ± 0.20
THREE DECIMAL PLACE ± 0.15
FOUR DECIMAL PLACE ± 0.10



4235 Earnings Way, New Albany, Indiana, 47150, USA
1-800-782-3486 (USA/Canada/Mexico)

Tel: 812-944-7244
Fax: 812-944-7268

E-mail: mle@mlelectronics.com
Web: www.mlelectronics.com


Revision
B

Sheet
1/2

Revisions

Revision B - (27th Mar 2009)

Dimension of .148 (3.75) added to PCB layout,
Wire Range changed from 16 - 26 AWG to 16 - 24 AWG

TBR-04-197-XX-XX-LF		.197cl Rising Clamp Terminal Block Interlock		04 DEC 08	Scale NTS
<small>UNLESS OTHERWISE SPECIFIED DIMENSIONS IN INCHES (MM) TOLERANCES IN INCHES:</small> <small>ONE DECIMAL PLACE ±0.30 TWO DECIMAL PLACE ±0.20 THREE DECIMAL PLACE ±0.15 FOUR DECIMAL PLACE ±0.10</small>		 4235 Earnings Way, New Albany, Indiana, 47150, USA 1-800-782-3486 (USA/Canada/Mexico) Tel: 812-944-7244 Fax: 812-944-7268 E-mail: mle@mlelectronics.com Web: www.mlelectronics.com			Revision B
					Sheet 2/2