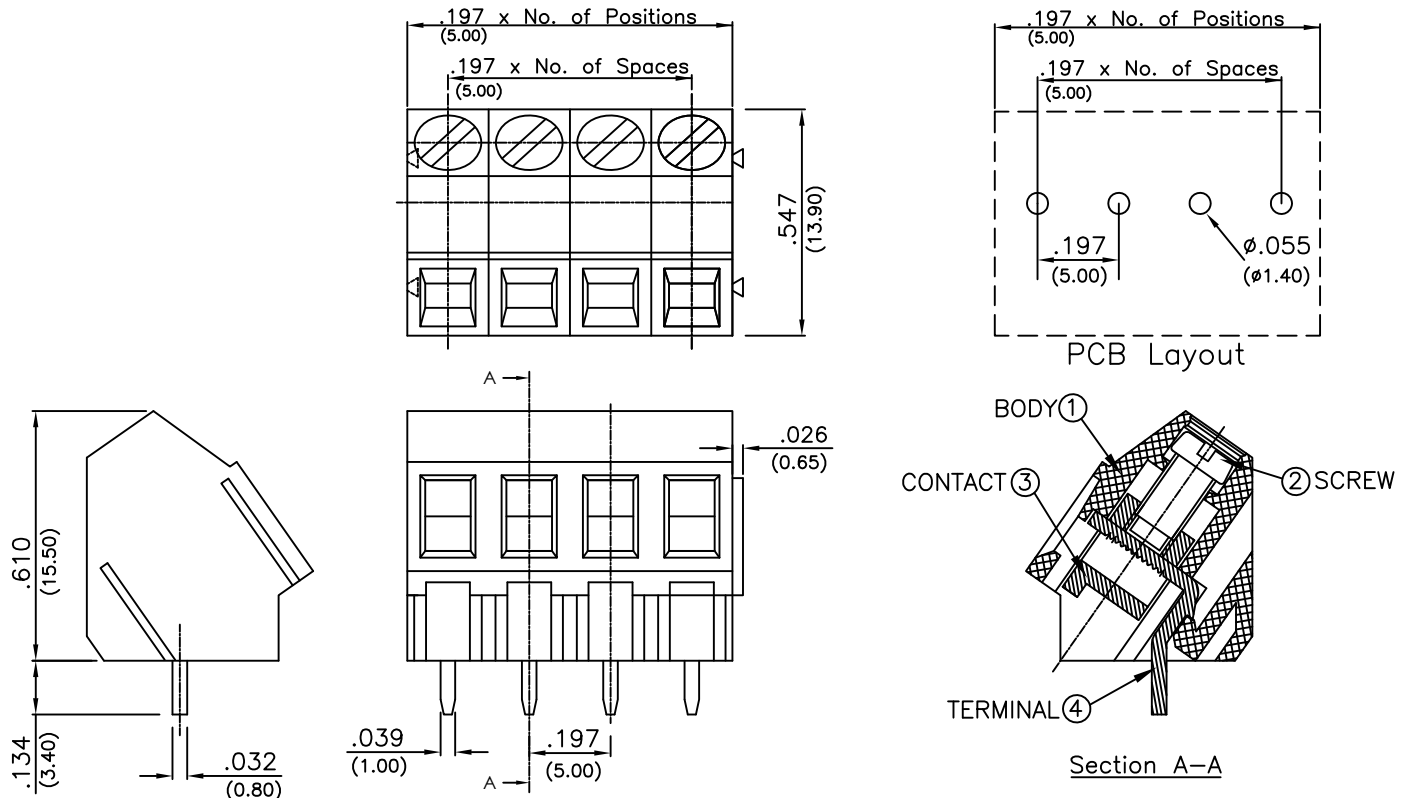


Major League Electronics .197 cl Rising Clamp Terminal Blocks



Ordering Information

TBR-00-197 - XX - XX - LF

Pitch
197 = .197 (5.00) cl

No. of Positions
02 - 24

Color
GR = Green (Standard)
BK = Black
BL = Blue
WH = White
GY = Grey
OR = Orange
YW = Yellow
RD = Red
BR = Brown

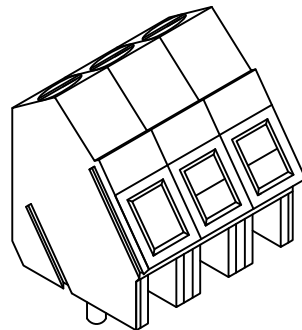
Lead Free

Specifications

Current Rating: 10 Ampere
Voltage Rating: AC 250V
Wire Range: 12-26 AWG
Dielectric Withstanding Voltage: AC 2500V/1 minute
Insulation Resistance: DC 500V 500M Ω
Operating Temperature: -33°C to + 105°C
Max Torque: 3.5 lb-in (4.03kgf. cm)
Strip Length: .236-.315 (6-8mm)

Materials

1. Body: PA66 (Nylon), UL94 V-0
2. Screw: M2.5, C1018 Steel, Blue Zinc Plated
3. Contact: Brass, Nickel Plated
4. Terminal: Brass, Tin Plated



Parts are subject to change without notice

TBR-00-197-XX-XX-LF

.197cl Rising Clamp Terminal Block
35° Angle, Interlock

31 OCT 08

Scale
NTS

UNLESS OTHERWISE SPECIFIED
DIMENSIONS IN INCHES (MM)
TOLERANCES IN INCHES:

ONE DECIMAL PLACE ± 0.30
TWO DECIMAL PLACE ± 0.20
THREE DECIMAL PLACE ± 0.15
FOUR DECIMAL PLACE ± 0.10

Major League
ELECTRONICS

4235 Earnings Way, New Albany, Indiana, 47150, USA
1-800-782-3486 (USA/Canada/Mexico)
Tel: 812-944-7244
Fax: 812-944-7268
E-mail: mle@mlelectronics.com
Web: www.mlelectronics.com

Revision
B

Sheet
1/2

Revisions

Revision B - (23rd Mar 2010)

PCB hole diameter amended from .051 (1.30) to .055 (1.40),
Side view added

TBR-00-197-XX-XX-LF

.197cl Rising Clamp Terminal Block
35° Angle, Interlock

31 OCT 08

Scale
NTS

UNLESS OTHERWISE SPECIFIED
DIMENSIONS IN INCHES (MM)
TOLERANCES IN INCHES:

ONE DECIMAL PLACE ±0.30
TWO DECIMAL PLACE ±0.20
THREE DECIMAL PLACE ±0.15
FOUR DECIMAL PLACE ±0.10



4235 Earnings Way, New Albany, Indiana, 47150, USA
1-800-782-3486 (USA/Canada/Mexico)

Tel: 812-944-7244
Fax: 812-944-7268

E-mail: mle@mlelectronics.com
Web: www.mlelectronics.com

Revision
B

Sheet
2/2