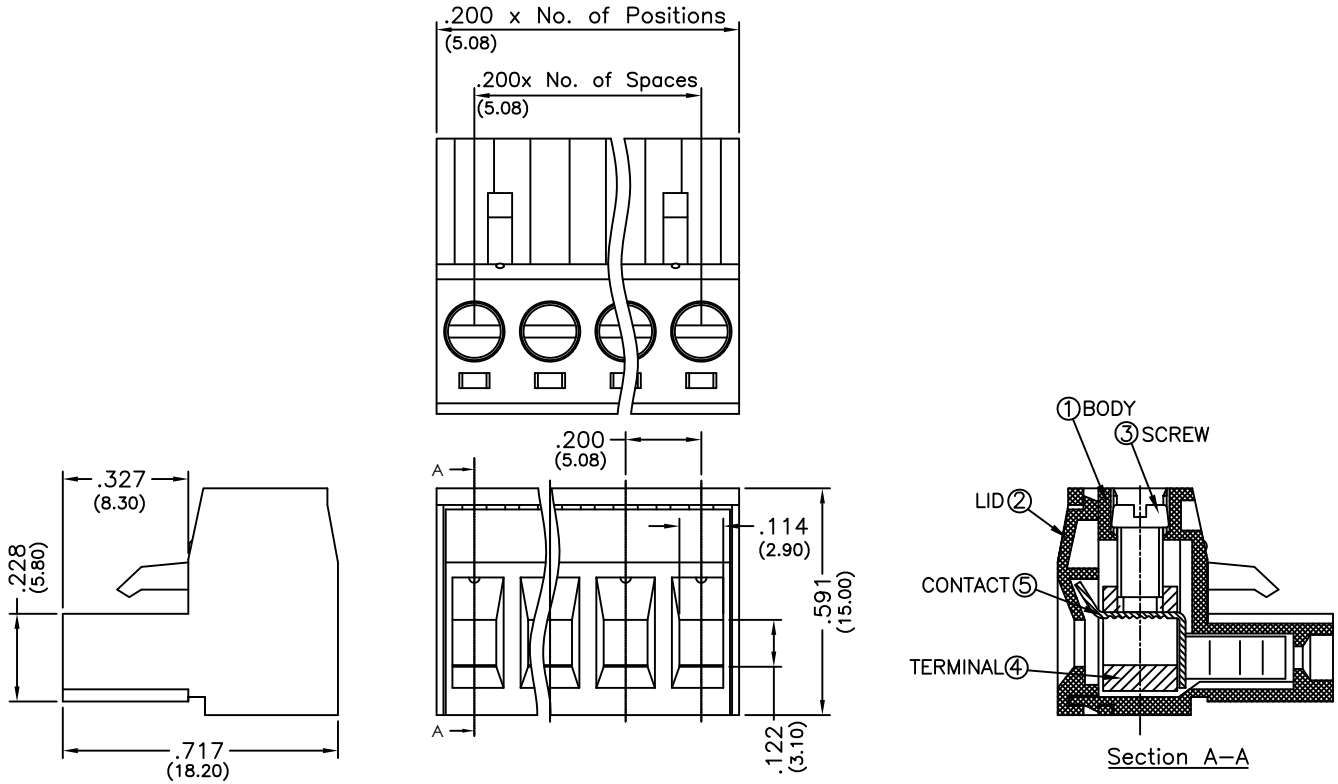


# Major League Electronics .200 cl Pluggable Socket Terminal Blocks



## Ordering Information

TBPS-00- **200** - **XX** - **XX** - **LF** Lead Free

Pitch  
200 = .200 (5.08) cl

No. of Positions  
02 - 24

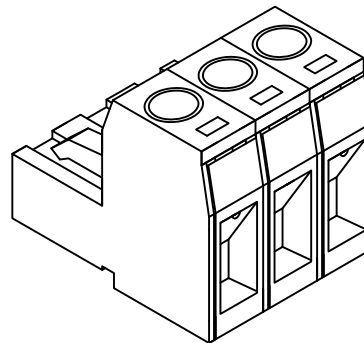
- Color
- GR = Green (Standard)
  - BK = Black
  - BL = Blue
  - WH = White
  - GY = Grey
  - OR = Orange
  - YW = Yellow
  - RD = Red
  - BR = Brown

### Specifications

- Current Rating: 10 Ampere
- Voltage Rating: AC 250V
- Wire Range: 12-26 AWG
- Dielectric Withstanding Voltage: AC 2500V/1 minute
- Insulation Resistance: DC 500V 1000MΩ
- Operating Temperature: -33°C to + 105°C
- Max Torque: 4.3 lb-in (4.95kgf. cm)
- Strip Length: .157-.236 (4-6mm)

### Materials

1. Body: PA66 (Nylon), UL94 V-0
2. Lid: PA66 (Nylon), UL94V-0
3. Screw: M3.0, C1018 Steel, Zinc Plated
4. Terminal: Brass, Nickel Plated
5. Contact: Phosphor Bronze, Tin Plated



Mates With:  
TBPH-00-200-XX-XX-LF

Parts are subject to change without notice

TBPS-00-200-XX-XX-LF

.200cl Pluggable Socket Terminal Block  
Non-Interlock

13 NOV 08

Scale  
NTS

UNLESS OTHERWISE SPECIFIED  
DIMENSIONS IN INCHES (MM)  
TOLERANCES IN INCHES:

ONE DECIMAL PLACE ±0.30  
TWO DECIMAL PLACE ±0.20  
THREE DECIMAL PLACE ±0.15  
FOUR DECIMAL PLACE ±0.10



4235 Earnings Way, New Albany, Indiana, 47150, USA  
1-800-782-3486 (USA/Canada/Mexico)  
Tel: 812-944-7244  
Fax: 812-944-7268  
E-mail: mle@mlelectronics.com  
Web: www.mlelectronics.com

Revision  
B

Sheet  
1/2

# Revisions

Revision B - (23rd Mar 2010)

Side view added

TBPS-00-200-XX-XX-LF

.200cl Pluggable Socket Terminal Block  
Non-Interlock

13 NOV 08

Scale  
NTS

UNLESS OTHERWISE SPECIFIED  
DIMENSIONS IN INCHES (MM)  
TOLERANCES IN INCHES:

ONE DECIMAL PLACE ±0.30  
TWO DECIMAL PLACE ±0.20  
THREE DECIMAL PLACE ±0.15  
FOUR DECIMAL PLACE ±0.10



4235 Earnings Way, New Albany, Indiana, 47150, USA  
1-800-782-3486 (USA/Canada/Mexico)  
Tel: 812-944-7244  
Fax: 812-944-7268  
E-mail: [mle@mlelectronics.com](mailto:mle@mlelectronics.com)  
Web: [www.mlelectronics.com](http://www.mlelectronics.com)

Revision  
B

Sheet  
2/2