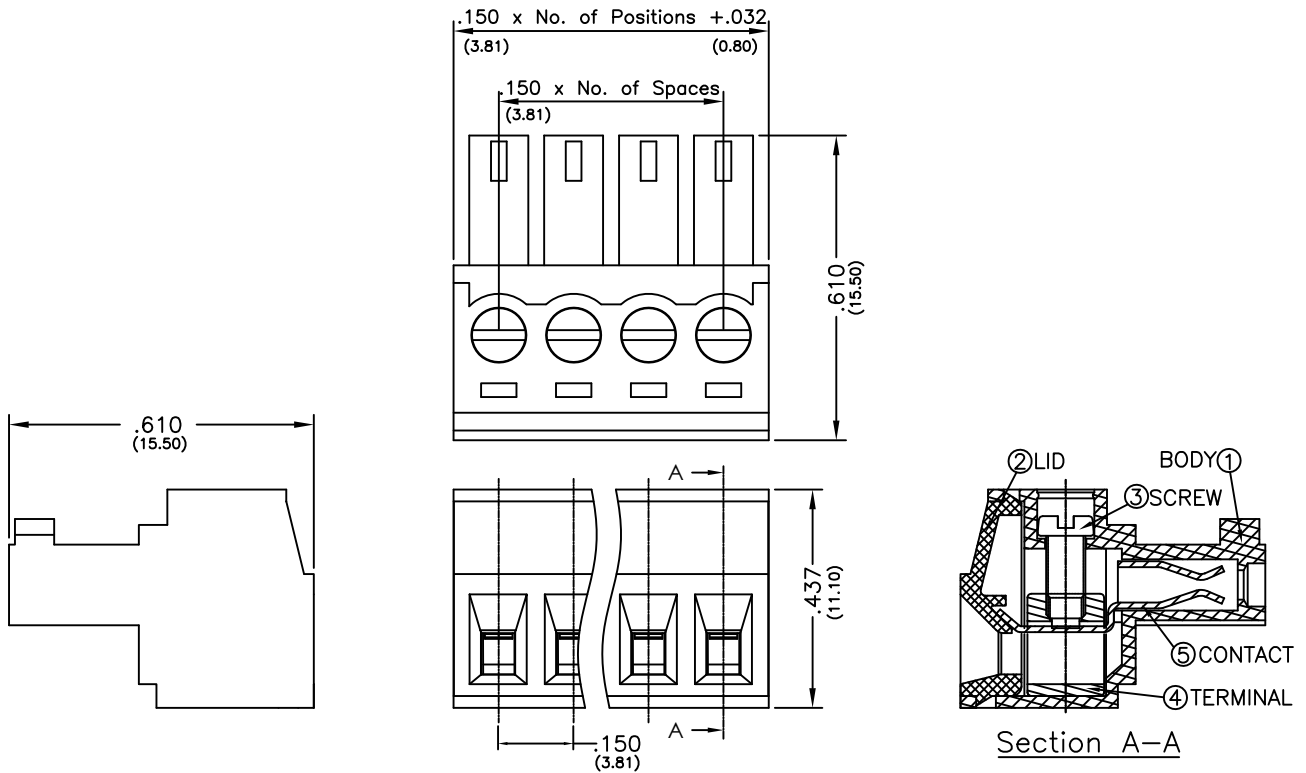


Major League Electronics .150 cl Pluggable Socket Terminal Blocks



Ordering Information

TBPS-00- 150 - XX - XX - LF

Pitch
150 = .150 (3.81) cl

No. of Positions
02 - 24

Lead Free

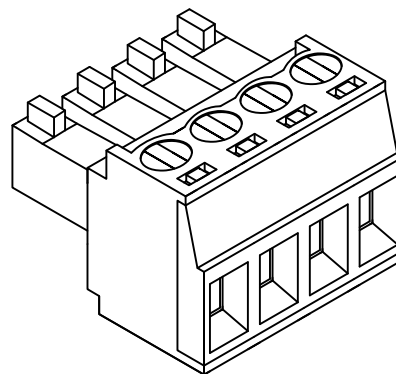
- Color
- GR = Green (Standard)
 - BK = Black
 - BL = Blue
 - WH = White
 - GY = Grey
 - OR = Orange
 - YW = Yellow
 - RD = Red
 - BR = Brown

Specifications

- Current Rating: 8 Ampere
- Voltage Rating: AC 250V
- Wire Range: 16-24 AWG
- Dielectric Withstanding Voltage: AC 2000V/1 minute
- Insulation Resistance: DC 500V 500MΩ
- Operating Temperature: -33°C to + 105°C
- Max Torque: 2.2 lb-in (2.53kgf. cm)
- Strip Length: .236-.315 (6-8mm)

Materials

1. Body: PA66 (Nylon), UL94 V-0
2. Lid: PA66 (Nylon), UL94V-0
3. Screw: M2.0, C1018 Steel, Zinc Plated
4. Terminal: Brass, Nickel Plated
5. Contact: Phosphor Bronze, Tin Plated



Mates With:
TBPH-00-150-XX-XX-LF

Parts are subject to change without notice

TBPS-00-150-XX-XX-LF

.150cl Pluggable Socket Terminal Block
Non-Interlock

17 NOV 08

Scale
NTS

UNLESS OTHERWISE SPECIFIED
DIMENSIONS IN INCHES (MM)
TOLERANCES IN INCHES:

ONE DECIMAL PLACE ±0.30
TWO DECIMAL PLACE ±0.20
THREE DECIMAL PLACE ±0.15
FOUR DECIMAL PLACE ±0.10



4235 Earnings Way, New Albany, Indiana, 47150, USA
1-800-782-3486 (USA/Canada/Mexico)
Tel: 812-944-7244
Fax: 812-944-7268
E-mail: mle@mlelectronics.com
Web: www.mlelectronics.com

Revision
B

Sheet
1/2

Revisions

Revision B - (23rd Mar 2010)

Side view added

TBPS-00-150-XX-XX-LF

.150cl Pluggable Socket Terminal Block
Non-Interlock

17 NOV 08

Scale
NTS

UNLESS OTHERWISE SPECIFIED
DIMENSIONS IN INCHES (MM)
TOLERANCES IN INCHES:

ONE DECIMAL PLACE ±0.30
TWO DECIMAL PLACE ±0.20
THREE DECIMAL PLACE ±0.15
FOUR DECIMAL PLACE ±0.10



4235 Earnings Way, New Albany, Indiana, 47150, USA
1-800-782-3486 (USA/Canada/Mexico)

Tel: 812-944-7244
Fax: 812-944-7268

E-mail: mle@mlelectronics.com
Web: www.mlelectronics.com

Revision
B

Sheet
2/2