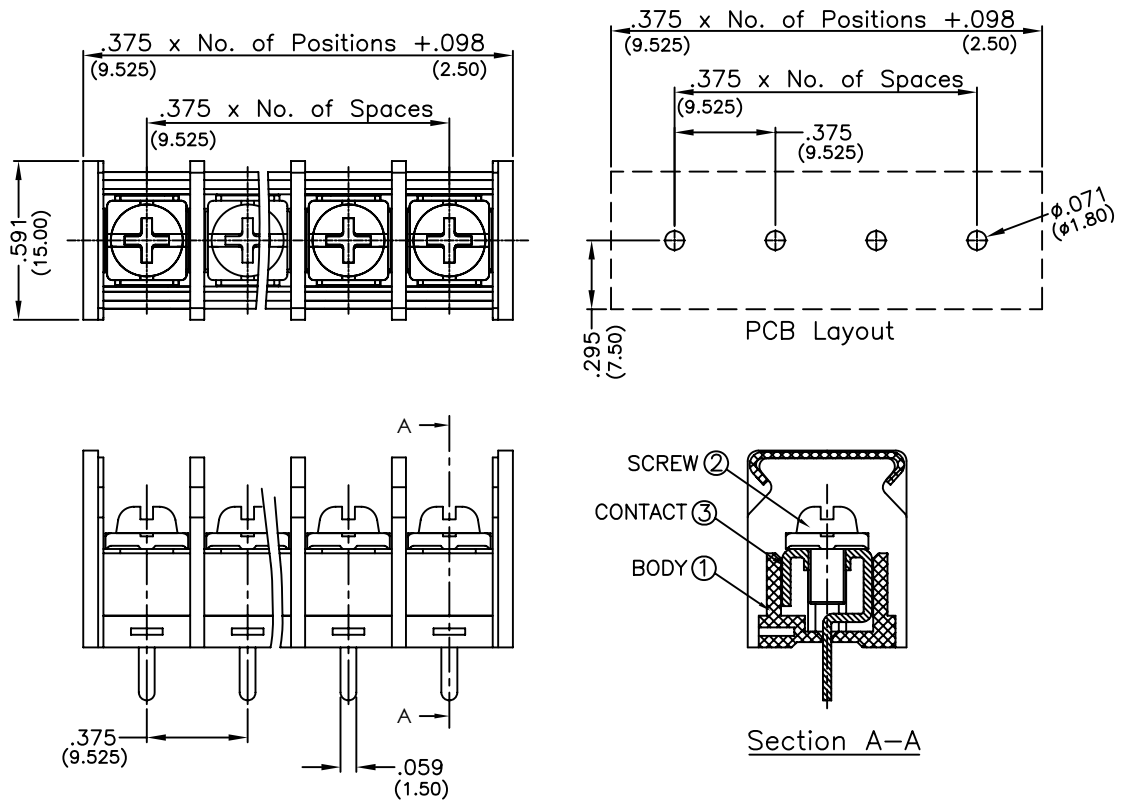


# Major League Electronics .375 cl Barrier Terminal Blocks



## Ordering Information

TBB-00- **375** - **XX** - **XX** - **LF**

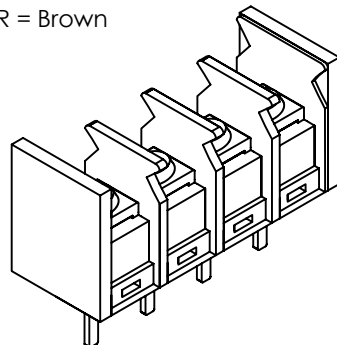
Pitch  
375 = .375 (9.525) cl

No. of Positions  
02 - 14

Lead Free

### Color

- BK = Black (Standard)
- GR = Green
- BL = Blue
- WH = White
- GY = Grey
- OR = Orange
- YW = Yellow
- RD = Red
- BR = Brown



## Specifications

- Current Rating: 20 Ampere
- Voltage Rating: AC 300V
- Wire Range: 12-22 AWG
- Dielectric Withstanding Voltage: AC 2500V/1 minute
- Insulation Resistance: DC 500V 1000MΩ
- Operating Temperature: -33°C to + 105°C
- Max Torque: 6.9 lb-in (7.95kgf. cm)
- Strip Length: .394-.472 (10-12mm)

## Materials

1. Body: PA66+(Nylon), UL94V-0
2. Screw: M3.5, C1018 Steel, Zinc Plated
3. Contact: Brass, Tin Plated

Parts are subject to change without notice

TBB-00-375-XX-XX-LF

.375cl Barrier Terminal Block  
Non-Interlock

17 NOV 08

Scale  
NTS

UNLESS OTHERWISE SPECIFIED  
DIMENSIONS IN INCHES (MM)  
TOLERANCES IN INCHES:

ONE DECIMAL PLACE ±0.30  
TWO DECIMAL PLACE ±0.20  
THREE DECIMAL PLACE ±0.15  
FOUR DECIMAL PLACE ±0.10



4235 Earnings Way, New Albany, Indiana, 47150, USA  
1-800-782-3486 (USA/Canada/Mexico)  
Tel: 812-944-7244  
Fax: 812-944-7268  
E-mail: mle@mlelectronics.com  
Web: www.mlelectronics.com

Revision  
C

Sheet  
1/2


## Revisions

Revision C - (10th Jun 2010)

Color options amended to black as standard

Revision B - (23rd Mar 2010)

Side view added

<p>UNLESS OTHERWISE SPECIFIED DIMENSIONS IN INCHES (MM) TOLERANCES IN INCHES:</p> <p>ONE DECIMAL PLACE ±0.30 TWO DECIMAL PLACE ±0.20 THREE DECIMAL PLACE ±0.15 FOUR DECIMAL PLACE ±0.10</p>	<p>TBB-00-375-XX-XX-LF</p> 	<p>.375cl Barrier Terminal Block Non-Interlock</p> <p>4235 Earnings Way, New Albany, Indiana, 47150, USA 1-800-782-3486 (USA/Canada/Mexico) Tel: 812-944-7244 Fax: 812-944-7268 E-mail: mle@mlelectronics.com Web: www.mlelectronics.com</p>	<p>17 NOV 08</p> <p>Scale NTS</p> <p>Revision C</p> <p>Sheet 2/2</p>
---	--	--	--