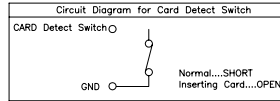
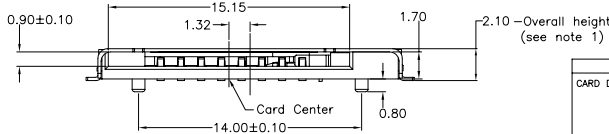
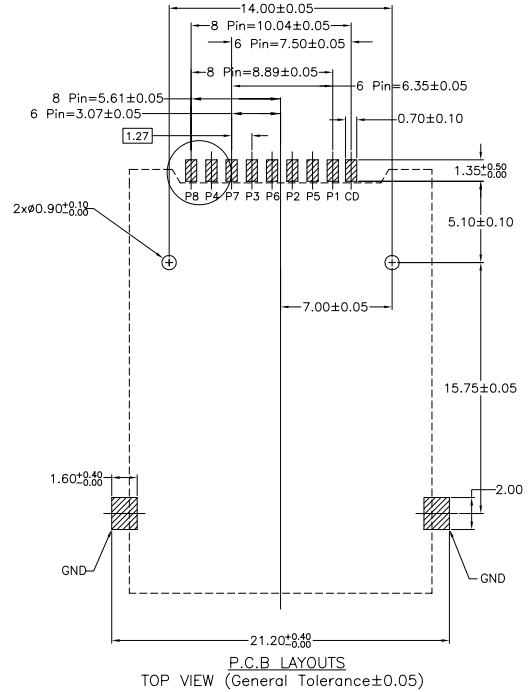
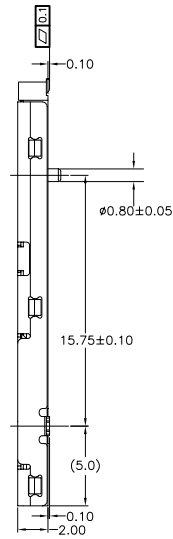
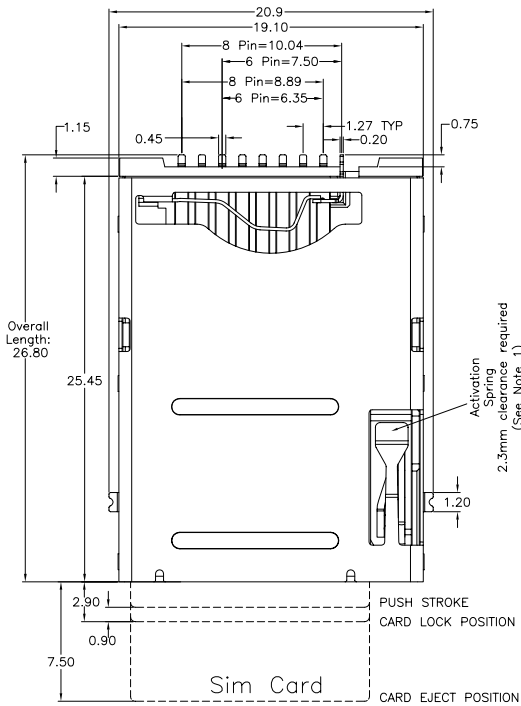
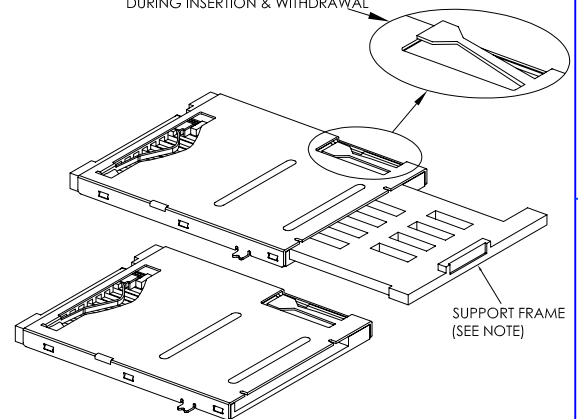


Major League Electronics 6 or 8 Pin Push/Push Type Surface Mount SIM Connector



Connector Terminal No.	Pin No.
Pin 1	VCC: PWR signal and GND
Pin 2	RST: Reset signal
Pin 3	CLK: Clocking signal
Pin 4	Reserved - NP on 6 pin version
Pin 5	GND: PWR signal and GND
Pin 6	VPP: programming Voltage
Pin 7	I/O: serial data input/output
Pin 8	Reserved - NP on 6 pin version

NOTE1: OVERALL CLEARANCE OF 2.30mm REQUIRED (IN DETAIL AREA SHOWN ONLY) FOR ACTIVATION SPRING DURING INSERTION & WITHDRAWAL



Ordering Information

SIMS60 - 20 - F - LF
 Number of Contacts: 6 or 8
 Lead Free
 Packing Information: F = Reel

Weight:	Approx. 2.50g	Insulation Resistance:	> 1000 MOhms/ 500 VDC	Operating Humidity:	10% ~ 95% RH
Contact Principle:	Friction technology	Wave:	Not applicable	Storage Temperature:	-40°C, ~ +60°C
Operating Position:	Shaft up / Down / Horizontal	Vapor Phase:	215°C, 30 sec. Max.	Storage Humidity:	10% ~ 95% RH
Durability:	5,000 cycles min.	IR Reflow:	260°C, 10 sec. Max.	Thermal Shock:	-40°C, ~ +60°C, 5 cycles
Insulation material:	Thermoplastic, UL 94-V0	Manual Soldering:	360°C, 3 sec. Max.	Damp Heat:	40°C, 90% RH, 500HR
Contact Resistance:	100 mOhmsmax.	Operating Temperature:	-25°C, ~ +85°C	Salt-Mist:	35°C, 5% NaCl, 48HR

SIMS60 SERIES

**SIM Card Connector
Push/Push Type 6 or 8 Pin**

19 APR 07

Scale
NTS

UNLESS OTHERWISE SPECIFIED
DIMENSIONS IN INCHES (MM)
TOLERANCES ARE:

ONE PLACE DECIMALS ±0.38
TWO PLACE DECIMALS ±0.25
THREE PLACE DECIMALS ±0.10

ANGLES
±3°



4235 Earnings Way, New Albany, Indiana, 47150, USA
1-800-782-3486 (USA/Canada/Mexico)

Tel: 812-944-7244
Fax: 812-944-7268

E-mail: mle@mlelectronics.com
Web: www.mlelectronics.com

Edition
1

Sheet
1/1