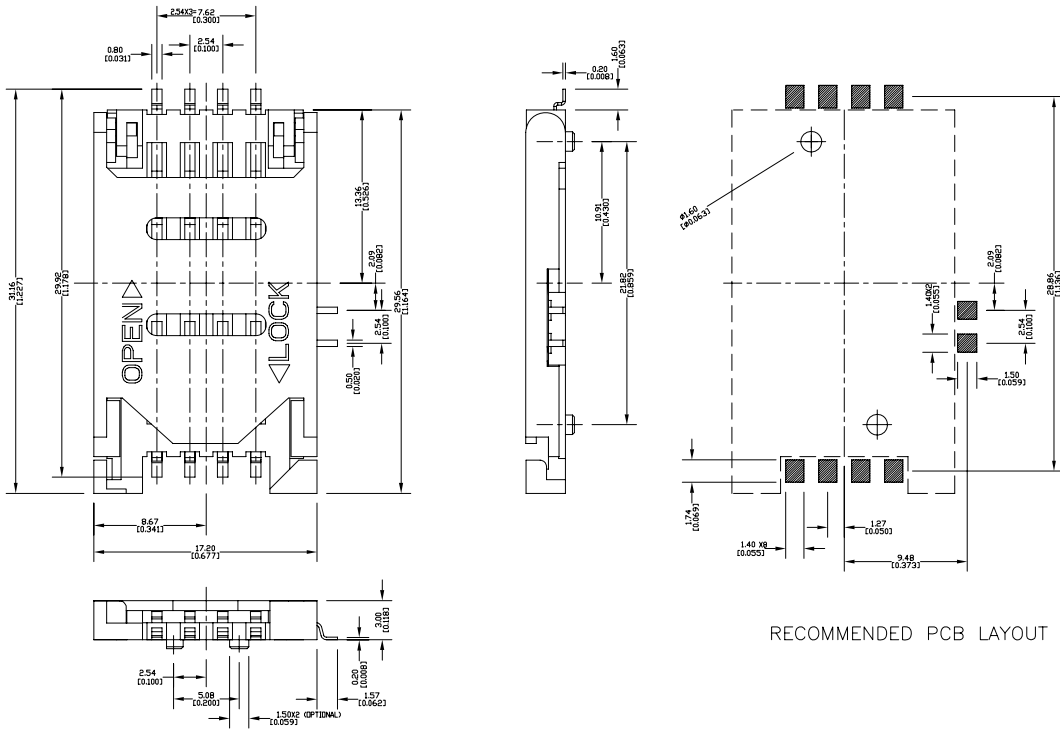


Major League Electronics 6 or 8 Pin Surface Mount SIM Connector With Switch & Optional Post



Ordering Information

SIMS46 - 30 - 2 - - - LF

Number of Contacts
6 or 8

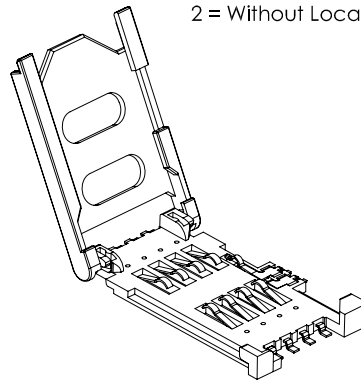
Height	
3.0mm	(1.227L x 0.677W x 0.118H inches) (31.16L x 17.20W x 3.00H mm)

Switch
2 = With Switch

Lead Free

Packing Information
B = Tray
F = Reel

Locating Peg
1 = With Locating Peg
2 = Without Locating Peg



Weight:	Approx. 0.80g	Insulation Resistance:	> 1000 MOhms/ 500 VDC	Operating Humidity:	10% ~ 95% RH
Contact Principle:	Friction technology	Wave:	Not applicable	Storage Temperature:	-40°C, ~ +85°C
Operating Position:	Shaft up / Down / Horizontal	Vapor Phase:	215°C, 30 sec. Max.	Storage Humidity:	10% ~ 95% RH
Durability:	10,000 cycles min.	IR Reflow:	230°C, 15 sec. Max.	Thermal Shock:	-40°C, ~ +85°C, 5 cycles
Insulation material:	Thermoplastic, UL 94-V0	Manual Soldering:	360°C, 3 sec. Max.	Damp Heat:	40°C, 90% RH, 500HR
Contact Resistance:	50 mOhmstypical / 100 mOhmsmax.	Operating Temperature:	-40°C, ~ +85°C	Salt-Mist:	35°C, 5% NaCl, 48HR

SIMS46 SERIES

6 or 8 Pin Surface Mount SIM Connector
With Switch & Optional Post

19 APR 07

Scale
NTS



4235 Earnings Way, New Albany, Indiana, 47150, USA
 1-800-782-3486 (USA/Canada/Mexico)
 Tel: 812-944-7244
 Fax: 812-944-7268
 E-mail: mle@mlelectronics.com
 Web: www.mlelectronics.com

Edition
1

Sheet
1/1