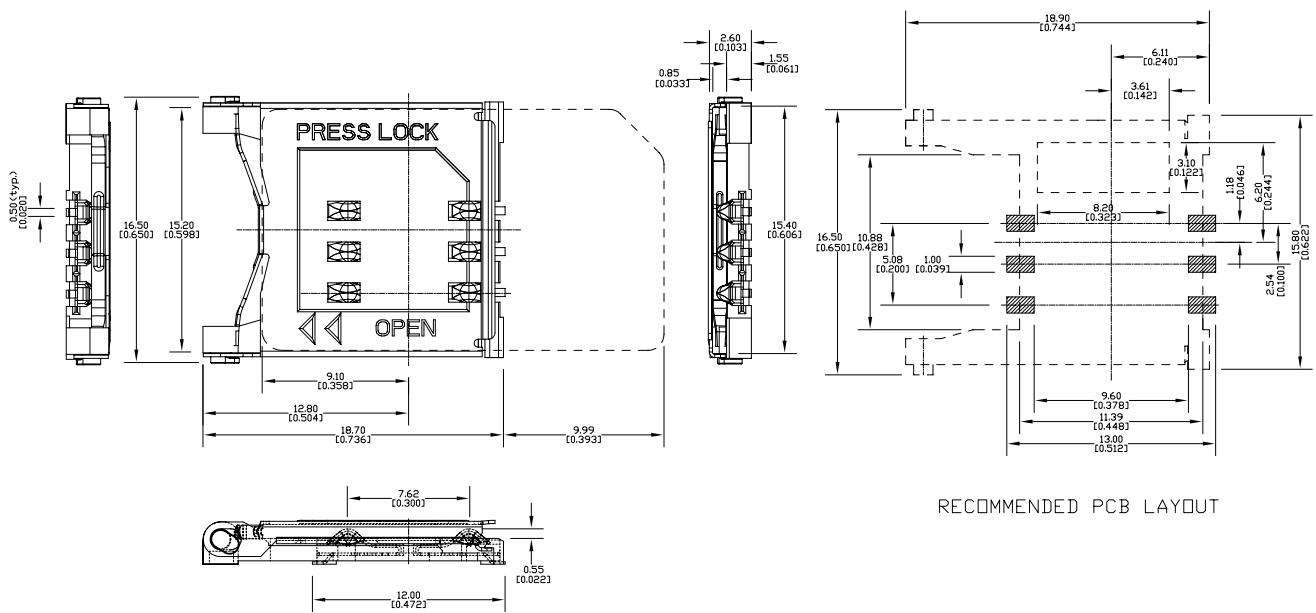


Major League Electronics 6 Pin Surface Mount SIM Connector



Ordering Information

SIMS32 **6** - **26** - **1** - **2** - **X** - **LF**

Number of Contacts
6

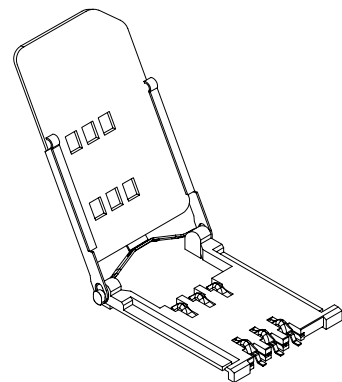
Height	
2.6mm	(0.744L x 0.650W x 0.102H inches) (18.90L x 16.50W x 2.60H mm)

Switch
1 = Without Switch

Lead Free

Packing Information
C = Tube
F = Reel

Locating Peg
2 = Without Locating Peg



Weight:	Approx. 1.20g	Insulation Resistance:	> 1000 MOhms/ 500 VDC	Operating Humidity:	10% ~ 95% RH
Contact Principle:	Landed contact technology	Wave:	Not applicable	Storage Temperature:	-40°C, ~ +85°C
Operating Position:	Shaft up / Down / Horizontal	VaporPhase:	215°C, 30 sec. Max.	Storage Humidity:	10% ~ 95% RH
Durability:	10,000 cycles min.	IR Reflow:	230°C, 15 sec. Max.	Thermal Shock:	-40°C, ~ +85°C, 5 cycles
Insulation material:	Thermoplastic, UL 94-V0	Manual Soldering:	360°C, 3 sec. Max.	Damp Heat:	40°C, 90% RH, 500HR
Contact Resistance:	50 mOhmstypical / 100 mOhmsmax.	Operating Temperature:	-40°C, ~ +85°C	Salt-Mist:	35°C, 5% NaCl, 48HR

SIMS32 SERIES

6 Pin Surface Mount SIM Connector

18 APR 07

Scale
NTS



4235 Earnings Way, New Albany, Indiana, 47150, USA
1-800-782-3486 (USA/Canada/Mexico)
Tel: 812-944-7244
Fax: 812-944-7268
E-mail: mle@mlelectronics.com
Web: www.mlelectronics.com

Edition
1

Sheet
1/1