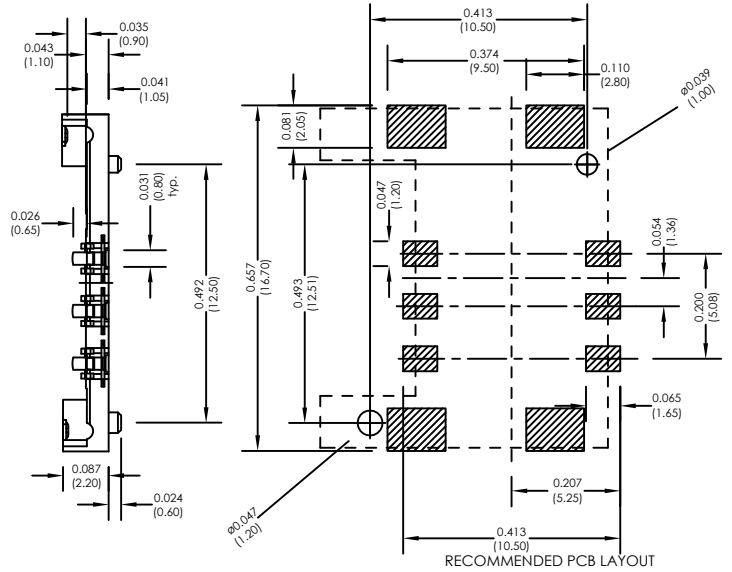
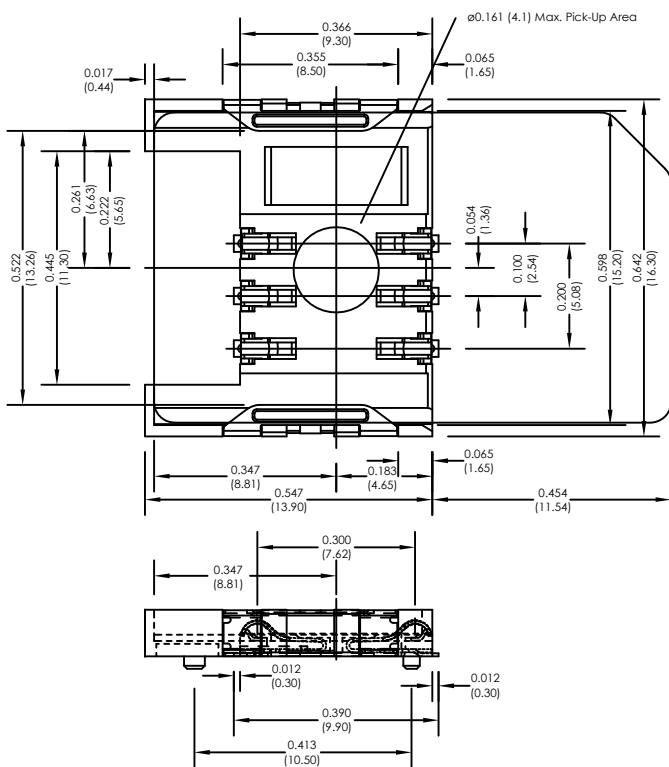


Major League Electronics 6 Pin Surface Mount SIM Connector With Optional Post



Ordering Information

SIMS30 6 - XX - 1 - X - X - LF

Number of Contacts
6

	Height	
2.2mm	(0.547L x 0.642W x 0.087H inches) (13.90L x 16.30W x 2.20H mm)	22
2.4mm	(0.547L x 0.642W x 0.095H inches) (13.90L x 16.30W x 2.40H mm)	24

Switch
1 = Without Switch

Lead Free

Packing Information

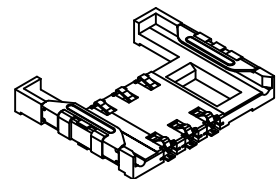
C = Tube

F = Reel

Locating Peg

1 = With Locating Peg

2 = Without Locating Peg



Weight:	Approx. 0.40g	Insulation Resistance:	> 1000 MΩ / 500 VDC	Storage Temperature:	-40°C, ~ +85°C
Contact Principle:	Friction Technology	Wave:	Not applicable	Storage Humidity:	10% ~ 95% RH
Operating Position:	Shaft Up/Down/Horizontal	VaporPhase:	215°C, 30 sec. Max.	Thermal Shock:	-40°C, ~ +85°C, 5 cycles
Durability:	10,000 Cycles Min.	IR Reflow:	230°C, 15 sec. Max.	Damp Heat:	40°C, 90% RH, 500HR
Insulation Material:	LCP	Manual Soldering:	360°C, 3 sec. Max.	Salt-Mist:	35°C, 5% NaCl, 48HR
Contact Material:	Gold plating with 3u" Min.	Operating Temperature:	-40°C, ~ +85°C		
Contact Resistance:	50 mΩ typical / 100 mΩ Max.	Operating Humidity:	10% ~ 95% RH		

SIMS30 SERIES

6 Pin Surface Mount SIM Connector
With Optional Post

19 APR 07

Scale
NTS

UNLESS OTHERWISE SPECIFIED
DIMENSIONS IN INCHES (MM)
TOLERANCES ARE:
NO DECIMALS ±0.1
ONE PLACE DECIMALS ±0.07
TWO PLACE DECIMALS ±0.05
ANGLES
±0.5°



4235 Earnings Way, New Albany, Indiana, 47150, USA

1-800-782-3486 (USA/Canada/Mexico)

Tel: 812-944-7244

Fax: 812-944-7268

E-mail: mle@mlelectronics.com

Web: www.mlelectronics.com


Revision
B

Sheet
1/2

Revisions

Revision B - (17th Jun 2010)

Plating Information added to specification
Packing Information option added; Reel

<p>UNLESS OTHERWISE SPECIFIED DIMENSIONS IN INCHES (MM) TOLERANCES ARE: NO DECIMALS ± 0.1 ONE PLACE DECIMALS ± 0.07 TWO PLACE DECIMALS ± 0.05 ANGLES $\pm 0.5^\circ$</p>	<p>SIMS30 SERIES</p> 	<p>6 Pin Surface Mount SIM Connector With Optional Post</p> <p>4235 Earnings Way, New Albany, Indiana, 47150, USA 1-800-782-3486 (USA/Canada/Mexico) Tel: 812-944-7244 Fax: 812-944-7268 E-mail: mle@mlelectronics.com Web: www.mlelectronics.com</p>	<p>19 APR 07</p>	<p>Scale NTS</p> <p>Revision B</p> <p>Sheet 2/2</p>
--	---	---	-------------------------	---