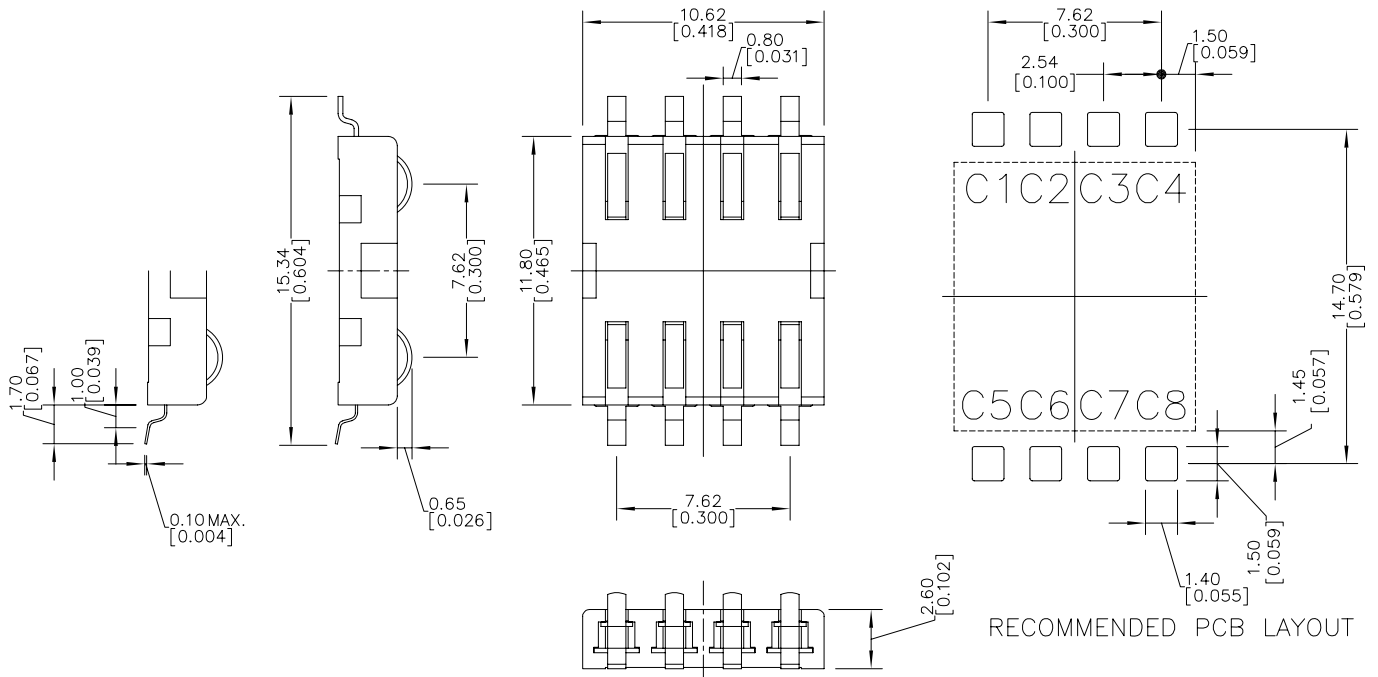


# Major League Electronics 8 Pin Surface Mount SIM Connector



## Ordering Information

SIMS23 **8** - **26** - **1** - **2** - **C** - **LF**

Number of Contacts  
8

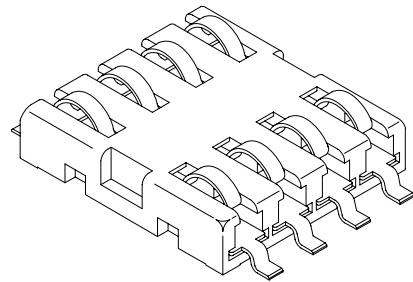
Height	26
2.6mm (0.465L x 0.418W x 0.102H inches) (11.80L x 10.62W x 2.60H mm)	

Switch  
1 = Without Switch

Lead Free

Packing Information  
C = Tube

Locating Peg  
2 = Without Locating Peg



Weight:	Approx. 0.50g	Insulation Resistance:	> 1000 MOhms/ 500 VDC	Operating Humidity:	10% ~ 95% RH
Contact Principle:	Friction technology	Wave:	Not applicable	Storage Temperature:	-40°C, ~ +85°C
Operating Position:	Shaft up / Down / Horizontal	Vapor Phase:	215°C, 30 sec. Max.	Storage Humidity:	10% ~ 95% RH
Durability:	100,000 cycles min.	IR Reflow:	230°C, 15 sec. Max.	Thermal Shock:	-40°C, ~ +85°C, 5 cycles
Insulation material:	Thermoplastic, UL 94V-0	Manual Soldering:	360°C, 3 sec. Max.	Damp Heat:	40°C, 90% RH, 500HR
Contact Resistance:	50 mOhmstypical / 100 mOhmsmax.	Operating Temperature:	-40°C, ~ +85°C	Salt-Mist:	35°C, 5% NaCl, 48HR

**SIMS23 SERIES**

8 Pin Surface Mount SIM Connector

**19 APR 07**

Scale  
NTS



4235 Earnings Way, New Albany, Indiana, 47150, USA  
1-800-782-3486 (USA/Canada/Mexico)  
Tel: 812-944-7244  
Fax: 812-944-7268  
E-mail: mle@mlelectronics.com  
Web: www.mlelectronics.com

Edition  
1

Sheet  
1/1