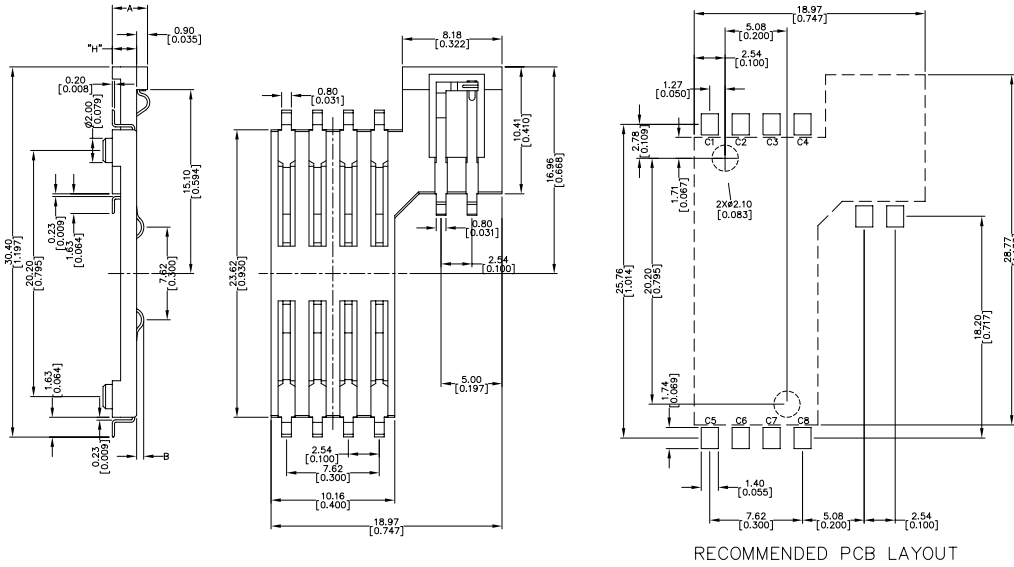


Major League Electronics 8 Pin Surface Mount SIM Connector With Switch and Post

Base Height	Total Height	Dimension B
H = 2.00mm (0.0787inches)	A = 2.90mm (0.1141inches)	0.70mm (0.028inches)
H = 1.55mm (0.061inches)	A = 2.45mm (0.096inches)	0.60mm (0.024inches)
H = 1.30mm (0.512inches)	A = 2.20mm (0.087inches)	



Ordering Information

SIMS11 8 - XX - 2 - 1 - B - LF

Number of Contacts
8

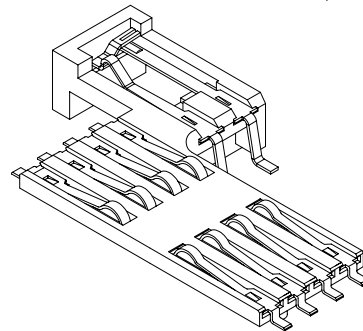
Height	
1.3mm	(1.133L x 0.747W x 0.512H inches) (28.77L x 18.97W x 1.30H mm) 13
1.55mm	(1.133L x 0.747W x 0.061H inches) (28.77L x 18.97W x 1.55H mm) 15
2.0mm	(1.133L x 0.747W x 0.0787H inches) (28.77L x 18.97W x 2.00H mm) 20

Lead Free

Packing Information
B = Tray

Locating Peg
1 = With Locating Peg

Switch
2 = With Switch (normally open)



Weight:	Approx. 0.65g	Insulation Resistance:	> 1000 MOhms/ 500 VDC	Operating Temperature:	-40°C, ~ +85°C
Contact Principle:	Friction technology	Switch Type	Blade	Operating Humidity:	10% ~ 95% RH
Operating Position:	Shaft up / Down / Horizontal	Wave:	Not applicable	Storage Temperature:	-40°C, ~ +85°C
Durability:	100,000 cycles min.	VaporPhase:	215°C, 30 sec. Max.	Storage Humidity:	10% ~ 95% RH
Insulation material:	Thermoplastic, UL 94V-0	IR Reflow:	230°C, 15 sec. Max.	Thermal Shock:	-40°C, ~ +85°C, 5 cycles
Contact Resistance:	50 mOhmstypical / 100 mOhmsmax.	Manual Soldering:	360°C, 3 sec. Max.	Damp Heat:	40°C, 90% RH, 500HR
				Salt-Mist:	35°C, 5% NaCl, 48HR

SIMS11 SERIES

8 Pin Surface Mount SIM Connector
With Switch and Post

18 APR 07

Scale
NTS



4235 Earnings Way, New Albany, Indiana, 47150, USA
1-800-782-3486 (USA/Canada/Mexico)

Tel: 812-944-7244

Fax: 812-944-7268

E-mail: mle@mlelectronics.com

Web: www.mlelectronics.com

Edition
1

Sheet
1/1