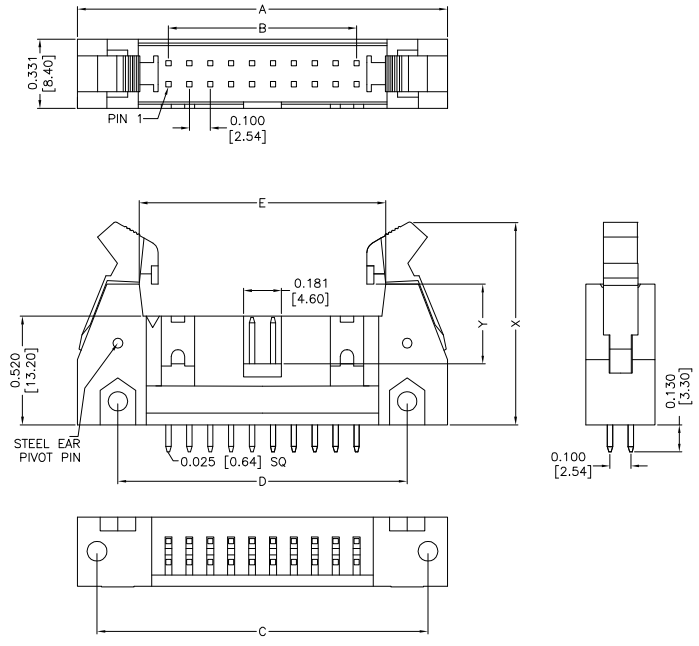
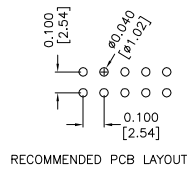


Major League Electronics .100" cl Latching Shrouded Header

ACCESSORIES	X	Y
LONG LATCH	1.035 [26.3]	0.575 [14.6]
SHORT LATCH	.0972 [24.7]	0.417 [10.6]

PINS PER ROW	A	B	C	D	E
3	1.069 [27.16]	0.200 [5.08]	0.883 [22.43]	0.649 [16.48]	0.500 [12.70]
4	1.169 [29.70]	0.300 [7.62]	0.983 [24.98]	0.749 [19.03]	0.603 [15.31]
5	1.269 [32.24]	0.400 [10.16]	1.083 [27.52]	0.849 [21.57]	0.718 [18.25]
6	1.369 [34.78]	0.500 [12.70]	1.183 [30.06]	0.949 [24.11]	0.803 [20.39]
7	1.469 [37.32]	0.600 [15.24]	1.283 [32.60]	1.049 [26.65]	0.918 [23.33]
8	1.569 [39.86]	0.700 [17.78]	1.383 [35.14]	1.149 [29.19]	1.018 [25.87]
10	1.769 [44.94]	0.900 [22.86]	1.583 [40.22]	1.349 [34.27]	1.218 [30.95]
12	1.969 [50.02]	1.100 [27.94]	1.783 [45.30]	1.549 [39.35]	1.418 [36.03]
13	2.069 [52.56]	1.200 [30.48]	1.883 [47.84]	1.649 [41.89]	1.518 [38.57]
15	2.269 [57.64]	1.400 [35.56]	2.083 [52.92]	1.849 [46.97]	1.718 [43.65]
17	2.469 [62.72]	1.600 [40.64]	2.283 [58.00]	2.049 [52.05]	1.918 [48.73]
20	2.769 [70.34]	1.900 [48.26]	2.583 [65.62]	2.349 [59.67]	2.218 [56.35]
22	2.969 [75.42]	2.100 [53.34]	2.783 [70.70]	2.549 [64.75]	2.418 [61.43]
25	3.269 [83.04]	2.400 [60.96]	3.083 [78.32]	2.849 [72.37]	2.718 [69.05]
30	3.769 [95.74]	2.900 [73.66]	3.583 [91.02]	3.349 [85.07]	3.218 [81.75]
32	3.969 [100.82]	3.100 [78.74]	3.783 [96.10]	3.549 [90.15]	3.418 [86.83]



Tails may be clipped to achieve desired pin length

Ordering Information

SHTSL-1 - - 02 - - - - LF

Pins Per Row
only available in:
05, 07, 08, 10, 12, 13, 15, 17
20, 22, 25, 30, 32

Double

Style
02 = Black

Lead Free

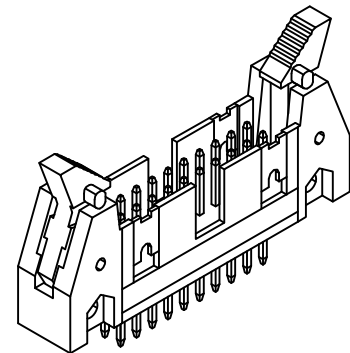
Polarized Position
001 - 064
Leave blank if not needed

Ejector Latch
LL = Long
SL = Short

Plating Options	
- 10µ Gold on Contact Area/Matte Tin on Tail	GT
- 3µ Selective Gold	FT
- 30µ Gold on Contact Area/Matte Tin on Tail	H
- Matte Tin all Over	T
- Gold Flash Over Entire Pin	F

Standard plating = FT

Mates with:
IDS-1



Insulator	PBT, glass reinforced, rated UL 94V-0	Current Rating	2 Amp
Contact	Phosphor Bronze or Brass	Dielectric Withstanding	500V AC for one minute
Insulation resistance	3000 MOHMS min.	Operating Temperature	-40°C to +105°C
Contact Resistance	30 mOHMSmax.	Terminated with	.050" [1.27mm] pitch cable assembly

Products cut to specific sizes are uncancellable/nonreturnable

Parts are subject to change without notice

SHTSL-1 SERIES

.100" cl Latching Shrouded Header - Straight

19 APR 07

Scale
NTS

UNLESS OTHERWISE SPECIFIED
DIMENSIONS IN INCHES (MM)
TOLERANCES ARE:

ONE PLACE DECIMALS ±.100
TWO PLACE DECIMALS ±.010
THREE PLACE DECIMALS ±.005
FOUR PLACE DECIMALS ±.002



4235 Earnings Way, New Albany, Indiana, 47150, USA
1-800-782-3486 (USA/Canada/Mexico)
Tel: 812-944-7244
Fax: 812-944-7268
E-mail: mle@mlelectronics.com
Web: www.mlelectronics.com

Edition
1

Sheet
1/1