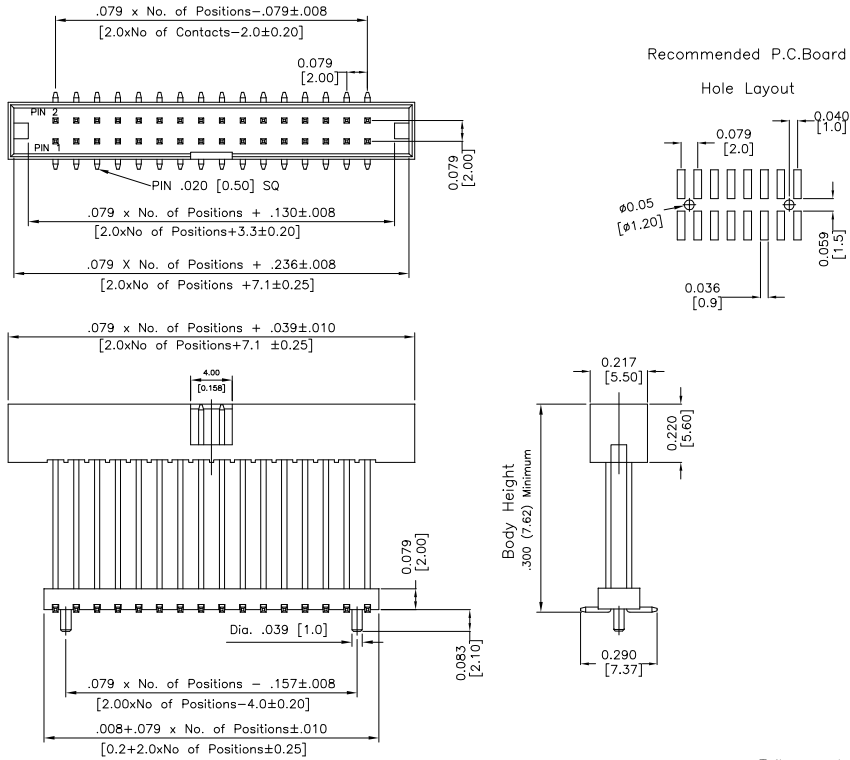


Major League Electronics .079" cl Shrouded Board Stacker Terminal Strips



Tails may be clipped to achieve desired pin length

Ordering Information

SHBSTCM-2 - - - - - - - - - AP - LF

Pins Per Row
05 - 25

Double

Select nearest Pin Option greater than specified Desired Body Height*

Pin Options		<input checked="" type="checkbox"/>
Max. Body Height		
(10.59) .417	06	
(11.58) .456	07	
(13.59) .535	08	
(14.10) .555	09	
(14.61) .575	10	
(15.09) .594	12	
(15.60) .614	14	
(17.09) .673	15	
(18.11) .713	16	
(18.62) .733	17	
(19.10) .752	18	
(21.08) .830	22	
(22.12) .871	24	
(24.13) .950	28	
(28.19) 1.110	30	
(28.37) 1.117	36	

Plating Options		<input checked="" type="checkbox"/>
- 10µ Gold on Contact area/Flash on Tail	G	
- 10µ Gold on Contact Area/Matte Tin on Tail	GT	
- 30µ Gold on Contact Area/Matte Tin on Tail	H	
- Matte Tin all Over	T	
- Gold Flash Over Entire Pin	F	

Lead Free

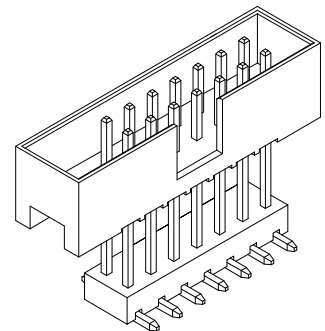
Alignment Pin
AP = With
Leave blank if not needed

Removable Pick and Place Option
P = With
Leave blank if not needed

Tape and Reel Option
TR = With
Leave blank if not needed

Polarized Position
001 - 072
Leave blank if not needed

Desired Body Height
Please specify
e.g. .100 (2.54) = 100



Mates with:
IDS-2

Insulator	Polyester UL 94V-0 Nylon-6T	Current Rating	1 Amp
Contact	Copper Alloy	Dielectric Withstanding	500V AC/DC
Insulation Resistance	1000 MOHMS min.	Operating Temperature	-40°C to +105°C
Contact Resistance	20 mOHMSmin.		

Products cut to specific sizes are uncancellable/nonreturnable

Parts are subject to change without notice

UNLESS OTHERWISE SPECIFIED
DIMENSIONS IN INCHES (MM)

TOLERANCES ARE:
ONE PLACE DECIMALS ±0.38
TWO PLACE DECIMALS ±0.25
THREE PLACE DECIMALS ±0.13

ANGLES
NO DECIMALS ±5°
ONE PLACE DECIMALS ±2°
TWO PLACE DECIMALS ±1°
THREE PLACE DECIMALS ±0.5°

SHBSTCM-2 SERIES

.079" cl Shrouded Board Stacker Terminal Strips
Custom Surface Mount

23 APR 07

Scale
NTS



4235 Earnings Way, New Albany, Indiana, 47150, USA

1-800-782-3486 (USA/Canada/Mexico)

Tel: 812-944-7244

Fax: 812-944-7268

E-mail: mle@mlelectronics.com

Web: www.mlelectronics.com

Revision
B

Sheet
1/2

Revisions

Revision B - (30th April 2010)

Amendment to Current Rating from 2 to 1 Amp

UNLESS OTHERWISE SPECIFIED
DIMENSIONS IN INCHES (MM)

TOLERANCES ARE:
ONE PLACE DECIMALS ±0.38
TWO PLACE DECIMALS ±0.25
THREE PLACE DECIMALS ±0.13

ANGLES
NO DECIMALS ±5°
ONE PLACE DECIMALS ±2°
TWO PLACE DECIMALS ±1°
THREE PLACE DECIMALS ±0.5°

SHBSTCM-2 SERIES

.079" cl Shrouded Board Stacker Terminal Strips
Custom Surface Mount

23 APR 07

Scale
NTS



4235 Earnings Way, New Albany, Indiana, 47150, USA

1-800-782-3486 (USA/Canada/Mexico)

Tel: 812-944-7244

Fax: 812-944-7268

E-mail: mle@mlelectronics.com

Web: www.mlelectronics.com

Revision
B

Sheet
2/2