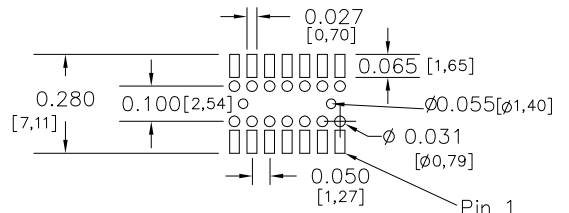
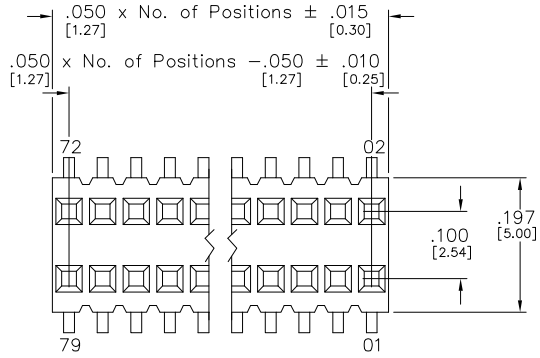
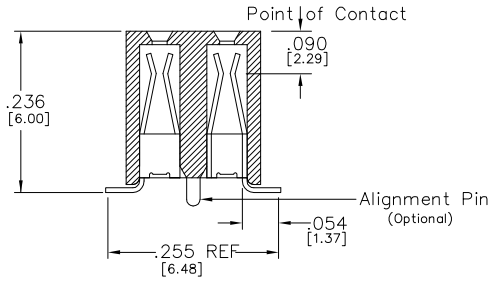
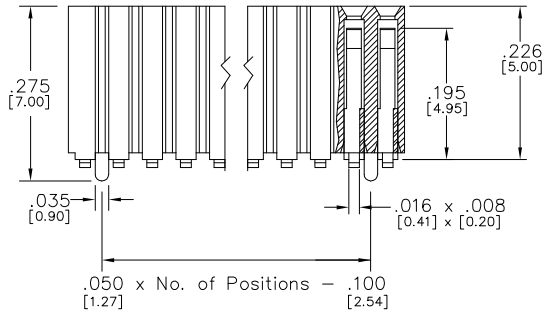


# Major League Electronics .050x.100 cl Socket Strips - Surface Mount - Vertical



Recommended P.C. Board Layout



Tails may be clipped to achieve desired pin length

## Ordering Information

SMSS-6  - D - 04 -  - V -  -  -  -  -  - LF

Pins Per Row  01 - 40  
 Row Specification  D = Dual Row  
 Surface Mount   
 Lead Free   
 Alignment Pin  Leave blank if not needed  
 AP = With

Plating Options	
10µ Gold on Contact Area / Flash on Tail	G
Matte Tin All Over	T
10µ Gold on Contact Area / Matte Tin on Tail	GT
30µ Gold on Contact Area / Matte Tin on Tail	H
Gold Flash over Entire Pin	F

**Packing Information**  
 TR-P = Tape and Reel with Plastic Pick and Place pad  
 TB-P = Tube with Plastic Pick and Place pad  
 TB-0 = Tube without Pick and Place Pad  
 If left blank, packaging at MLE's discretion  
 Pad may be metal, mylar or plastic

**Polarized Position**  
 Leave blank if not needed  
 If required, specify empty pin position, e.g. 012 for Pin 12

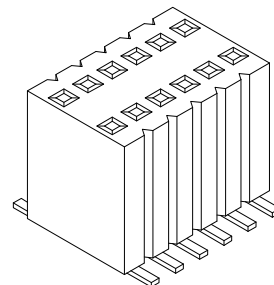
Vertical

## Specifications

Insertion Depth: .104 (2.64) to .230 (5.84)  
 Insertion Force - Per Contact - H Plating:  
 3.5oz. (0.97N) avg. with .018 (0.46) sq. pin  
 Withdrawal Force - Per Contact - H Plating:  
 1.5 oz. (0.42N) avg. with 0.18 (0.46) sq. pin  
 Current Rating: 1.0 Ampere  
 Insulation Resistance: 1000MΩ Min.  
 Dielectric Withstanding: 300V AC  
 Contact Resistance: 20 mΩ Max.  
 Operating Temperature: -40°C to + 105°C  
 Max. Process Temperature:  
 Peak: 260°C up to 10 secs.  
 Process: 230°C up to 60 secs.  
 Wave: 260°C up to 6 secs.  
 Manual Solder: 350°C up to 5 secs.

## Materials

Contact Material: Phosphor Bronze  
 Insulator Material: Nylon 6T  
 Plating: Au or Sn over 50µ" (1.27) Ni



Mates with:  
 TSHS  
 TSHC  
 TSHR  
 TSHSM  
 BSTS  
 BSTC  
 BSTCM

Products cut to specific sizes are uncancellable/nonreturnable

Parts are subject to change without notice

SMSS-6-DV SERIES

.050x.100 cl Dual Row - Surface Mount - Vertical  
 Board Stacker Terminal Strip Headers

05 FEB 07

Scale  
 NTS

UNLESS OTHERWISE SPECIFIED  
 DIMENSIONS IN INCHES (MM)  
 TOLERANCES ARE:

ONE PLACE DECIMALS ±.100  
 TWO PLACE DECIMALS ±.010  
 THREE PLACE DECIMALS ±.005  
 FOUR PLACE DECIMALS ±.0020  
 ANGLES  
 ±5°



4235 Earnings Way, New Albany, Indiana, 47150, USA  
 1-800-782-3486 (USA/Canada/Mexico)

Tel: 812-944-7244  
 Fax: 812-944-7268  
 E-mail: mle@mlelectronics.com  
 Web: www.mlelectronics.com

Edition  
 1

Sheet  
 1/1