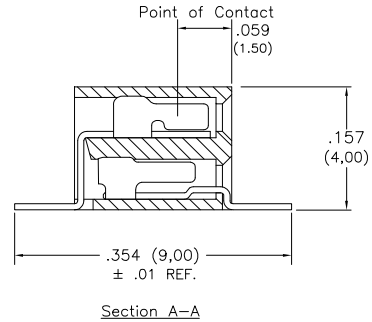
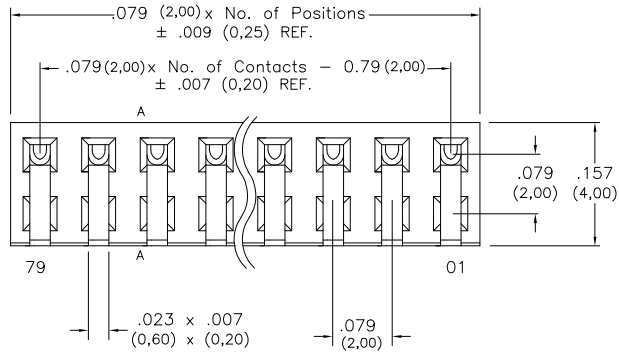
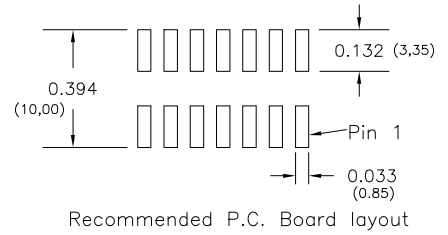
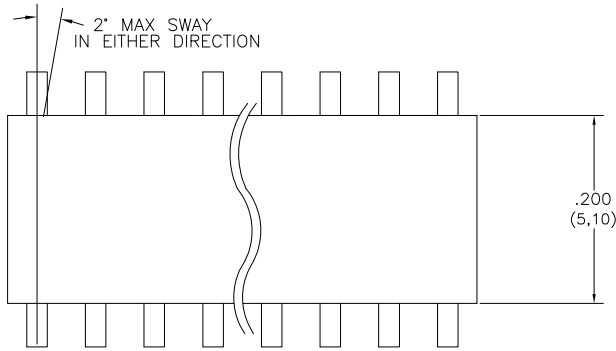


Major League Electronics .079 cl Surface Mount Box Contact - Horizontal



Tails may be clipped to achieve desired pin length

Ordering Information

SMBC-2 [] - D - 02 - [] - H - [] - [] - LF

Pins Per Row: 03 - 25
 Row Specification: D = Dual Row
 Surface Mount
 Packing Information: TR = Tape and Reel, TB = Tube, If left blank, packaging at MLE's discretion
 Polarized Position: Leave blank if not needed, If required, specify empty pin position, e.g. 012 for Pin 12
 Horizontal
 Lead Free

Plating Options	
10µ Gold on Contact Area / Flash on Tail	G
Matte Tin All Over	T
10µ Gold on Contact Area / Matte Tin on Tail	GT
30µ Gold on Contact Area / Matte Tin on Tail	H
Gold Flash over Entire Pin	F

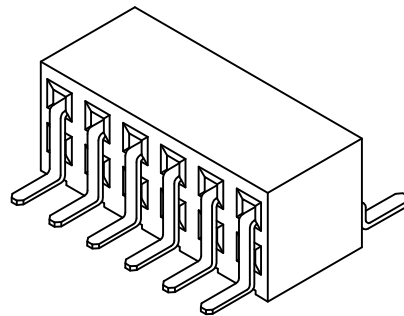
Specifications

Insertion Force - Single Contact only - H Plating:
 3.7oz. (1,03N) avg with .0197 (0,50mm) sq. pin
 Withdrawal Force - Single Contact only - H Plating:
 2.2oz. (0,61N) avg with .0197 (0,50mm) sq. pin
 Current Rating: 2.0 Ampere
 Insulation Resistance: 1000MΩ Min.
 Dielectric Withstanding: 500V AC
 Contact Resistance: 20 mΩ Max.
 Operating Temperature: -40°C to + 105°C
 Max. Process Temperature:
 Peak: 260°C up to 10 secs.
 Process: 230°C up to 60 secs.
 Wave: 260°C up to 6 secs.
 Reflow: 260°C up to 10 secs.
 Manual Solder: 350°C up to 5 secs.

Materials

Contact Material: Phosphor Bronze
 Insulator Material: Nylon 6T
 Plating: Au or Sn over 50µ" (1,27) Ni

Mates with:
 BSTC,
 BSTCM,
 BSTCR,
 BSTCRSM,
 BSTS,
 TBSTC,
 TBSTCM,
 TBSTCS,
 TBSTCR,
 TSHC,
 TSHCR,
 TSHCRE,
 TSHCRSM,
 TSHR,
 TSHRE,
 TSHS,
 TSHSCM,
 TTSHC,
 TTSHCR,
 TTSHCRE,
 TTSHR,
 TTSHRE,
 TTSHS,
 TTSHSM



Products cut to specific sizes are uncancellable/nonreturnable

Parts are subject to change without notice

SMBC-2-DH SERIES

Surface Mount Box Contact

13 FEB 07

Scale
 NTS

UNLESS OTHERWISE SPECIFIED
 DIMENSIONS IN INCHES (MM)
 TOLERANCES ARE:

ONE PLACE DECIMALS ±.100
 TWO PLACE DECIMALS ±.010
 THREE PLACE DECIMALS ±.005
 FOUR PLACE DECIMALS ±.0020
 ANGLES
 ±5°



4235 Earnings Way, New Albany, Indiana, 47150, USA
 1-800-782-3486 (USA/Canada/Mexico)
 Tel: 812-944-7244
 Fax: 812-944-7268
 E-mail: mle@mlelectronics.com
 Web: www.mlelectronics.com

Edition
 B

Sheet
 1/2

Revisions

Revision B - 4th February 2010

Amendment to footprint dimension:

Previous dimension .320"

Amended dimension .354"

Amendment to insulator height:

Previous dimension .168"

Amended dimension .157"

Amendment to pin dimension:

Previous dimension .020" x .009"

Amended dimension .023" x .007"

Amendment to P.C Board Layout

Amendment to pins per row:

Previous - 01- 40

Amended - 03 - 25

UNLESS OTHERWISE SPECIFIED
DIMENSIONS IN INCHES (MM)
TOLERANCES ARE:

ONE PLACE DECIMALS ±.100
TWO PLACE DECIMALS ±.010
THREE PLACE DECIMALS ±.005
FOUR PLACE DECIMALS ±.0020

ANGLES
±.5°

SMBC-2-DH SERIES

Surface Mount Box Contact

13 FEB 07

Scale
NTS



4235 Earnings Way, New Albany, Indiana, 47150, USA
1-800-782-3486 (USA/Canada/Mexico)
Tel: 812-944-7244
Fax: 812-944-7268
E-mail: mle@mlelectronics.com
Web: www.mlelectronics.com

Edition
B

Sheet
2/2