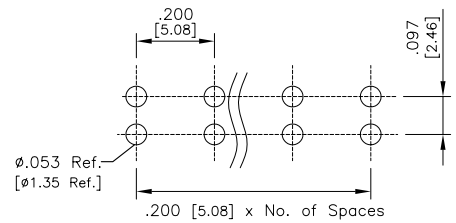
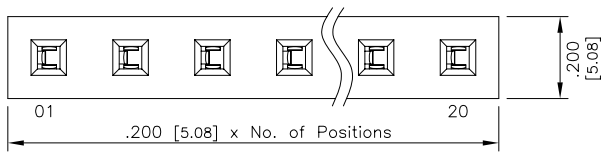
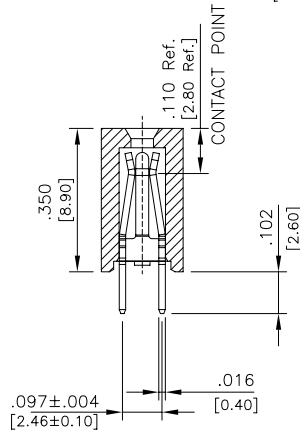
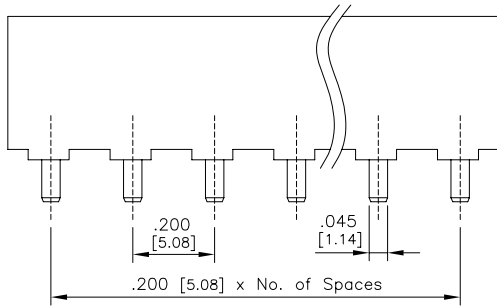


Major League Electronics .200 cl Thru Hole Socket Strip



RECOMMENDED PC BOARD LAYOUT



Ordering Information

PC200S XX - S - 02 - T - X - LF

Pins Per Row
02 - 20

Row Specification
S = Single Row

Thru Hole
02

Lead Free

Packing Information

T = Tube

B = Bulk

If left blank, packaging at MLE's discretion

Plating Options	
Matte Tin All Over	T

Specifications

Current Rating: 7.9 Ampere

Insulation Resistance: 1000MΩ Min.

Dielectric Withstanding: 1500V AC/DC

Contact Resistance: 20 mΩ Max.

Operating Temperature: -55°C to + 105°C

Max. Process Temperature:

IR Reflow: 280°C up to 10 secs.

Wave: 250°C up to 10 secs.

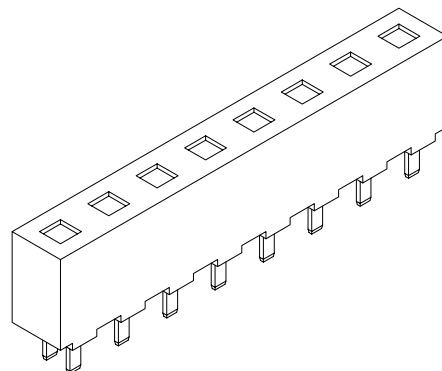
Manual Solder: 380°C up to 5 secs.

Materials

Contact Material: Phosphor Bronze

Insulator Material: LCP, UL94V-0

Plating: 100μ" Matte Tin over 50μ" (1,27) Ni



Mates with:
PC200H
PC200HR

Products cut to specific sizes are uncancellable/nonreturnable

Parts are subject to change without notice

UNLESS OTHERWISE SPECIFIED
DIMENSIONS IN INCHES (MM)
TOLERANCES ARE:

NO PLACE DECIMALS ±0.30
ONE PLACE DECIMALS ±0.20
TWO PLACE DECIMALS ±0.15
THREE PLACE DECIMALS ±0.10

ANGLES

NO PLACE DECIMALS ±5°
ONE PLACE DECIMALS ±3°
TWO PLACE DECIMALS ±1°
THREE PLACE DECIMALS ±0.5°

PC200S-XX-S-02 SERIES

.200cl Single Row
Thru Hole Socket Strip

23 JUN 08

Scale
NTS



4235 Earnings Way, New Albany, Indiana, 47150, USA
1-800-782-3486 (USA/Canada/Mexico)

Tel: 812-944-7244

Fax: 812-944-7268

E-mail: mle@mlelectronics.com

Web: www.mlelectronics.com

Edition
1

Sheet
1/1