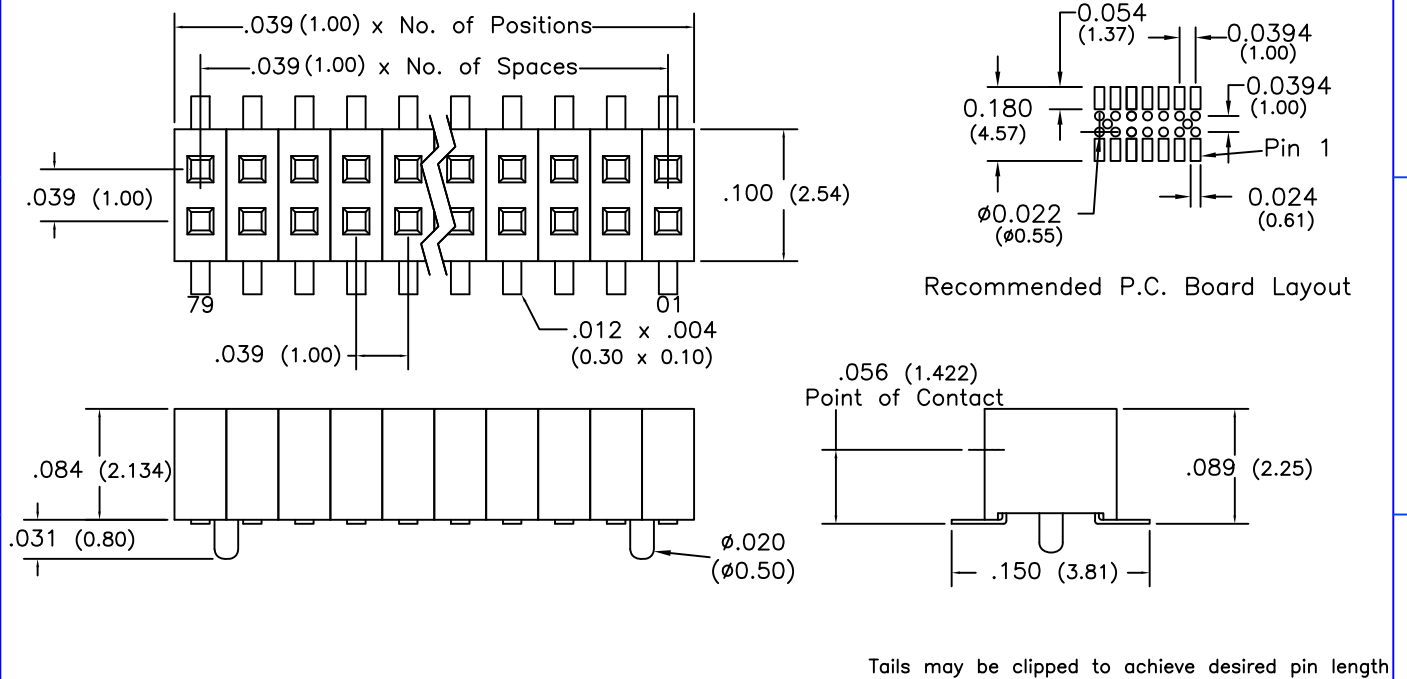


# Major League Electronics .039 cl Socket Strips - Low Profile - Surface Mount



## Ordering Information

LSMSS-7  -  -  -  -  -  -  -  -

Pins Per Row: 02 - 40  
 Row Specification: D = Dual Row  
 Surface Mount

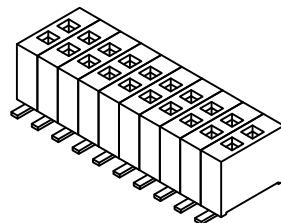
Plating Options

200µ Matte Tin all Over	T
Gold Flash Over Entire Pin	F
10µ Gold on Contact Area / Matte Tin on Tail	GT

Lead Free  
 Alignment Pin: Leave blank if not needed, AP = With  
 Packing Information: TR-P = Tape and Reel with Plastic Pick and Place pad, TB-P = Tube with Plastic Pick and Place pad, TB-0 = Tube without Pick and Place Pad. If left blank, packaging at MLE's discretion. Pad may be metal, mylar or plastic.  
 Polarized Position: Leave blank if not needed. If required, specify empty pin position, e.g. 012 for Pin 12

## Specifications

Current Rating: 1.0 Ampere  
 Insulation Resistance: 500MΩ Min.  
 Dielectric Withstanding: 200V AC  
 Contact Resistance: 20 mΩ Max.  
 Operating Temperature: -40°C to +105°C  
 Max. Process Temperature:  
 Peak: 260°C up to 10 secs.  
 Process: 230°C up to 60 secs.  
 Wave: 260°C up to 6 secs.  
 Reflow: 260°C up to 10 secs.  
 Manual Solder: 350°C up to 5 secs.



## Materials

Contact Material: Phosphor Bronze  
 Insulator Material: Nylon 6T

Products cut to specific sizes are uncancellable/nonreturnable

Parts are subject to change without notice

LSMSS-7-D SERIES

.039 cl Dual Row - Surface Mount  
 Socket Strips - Low Profile - Top Entry

06 MAR 07

Scale  
 NTS

UNLESS OTHERWISE SPECIFIED  
 DIMENSIONS IN INCHES (MM)  
 TOLERANCES ARE:

ONE PLACE DECIMALS ±.100  
 TWO PLACE DECIMALS ±.010  
 THREE PLACE DECIMALS ±.005  
 FOUR PLACE DECIMALS ±.0020  
 ANGLES  
 3°



4235 Earnings Way, New Albany, Indiana, 47150, USA  
 1-800-782-3486 (USA/Canada/Mexico)  
 Tel: 812-944-7244  
 Fax: 812-944-7268  
 E-mail: mle@mlelectronics.com  
 Web: www.mlelectronics.com

Revision  
 D

Sheet  
 1/2

# Revisions

Revision D - (16th Dec 2011)

Alignment Pin option added.

Revision C - (19th Apr 2010)

Change to Specification; From 0.5 Ampere to 1.0 Ampere.

Revision B - (20th Mar 2008)


Amendment to packing options in ordering grid.

## Revision A

TR-P = Tape and Reel with Plastic Pick and Place pad  
TR-M = Tape and Reel with Metal Pick and Place pad  
TR-K = Tape and Reel with Kapton Tape Pick and Place pad  
TB-P = Tube with Plastic Pick and Place pad  
TB-M = Tube with Metal Pick and Place pad  
TB-K = Tube with Kapton Tape Pick and Place pad  
TB-0 = Tube without Pick and Place Pad  
BK-0 = Bulk without Pick and Place Pad

## Revision B

TR-P = Tape and Reel with Plastic Pick and Place pad  
TB-P = Tube with Plastic Pick and Place pad  
TB-0 = Tube without Pick and Place Pad  
*If left blank, packaging at MLE's discretion  
Pad may be metal, mylar or plastic*

<p>UNLESS OTHERWISE SPECIFIED DIMENSIONS IN INCHES (MM) TOLERANCES ARE:</p> <p>ONE PLACE DECIMALS ±.100 TWO PLACE DECIMALS ±.010 THREE PLACE DECIMALS ±.005 FOUR PLACE DECIMALS ±.0020</p> <p>ANGLES ±.5°</p>	<p>LSMSS-7-D SERIES</p> 	<p>.039 cl Dual Row - Surface Mount Socket Strips - Low Profile - Top Entry</p> <p>4235 Earnings Way, New Albany, Indiana, 47150, USA 1-800-782-3486 (USA/Canada/Mexico) Tel: 812-944-7244 Fax: 812-944-7268 E-mail: mle@mlelectronics.com Web: www.mlelectronics.com</p>	<p>06 MAR 07</p> <p>Scale NTS</p> <p>Revision D</p> <p>Sheet 2/2</p>
---	---	---	--