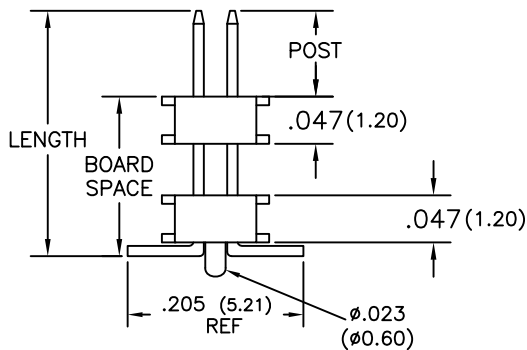
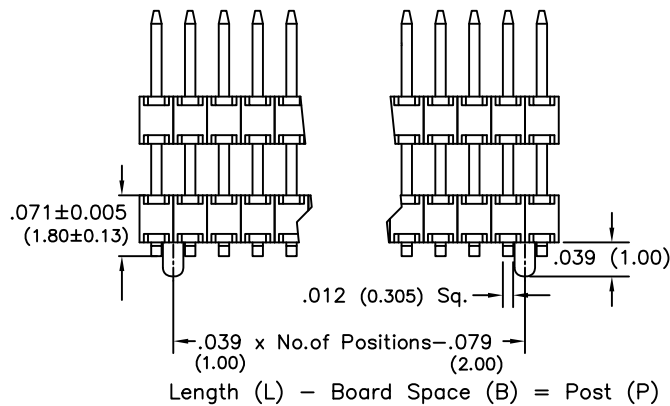
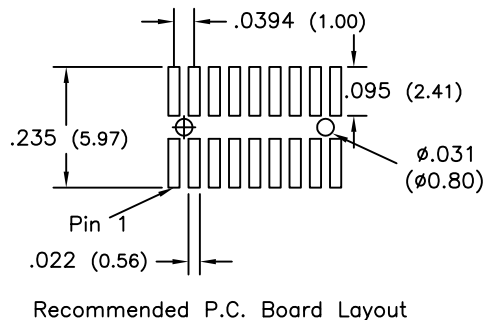
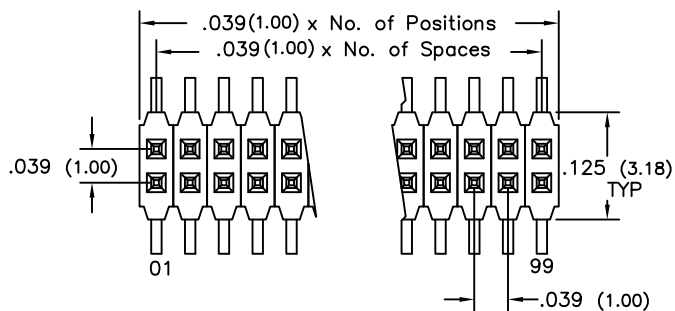


Major League Electronics .039 cl Board Stacker Terminal Strips - Surface Mount



Tails may be clipped to achieve desired pin length

Ordering Information

BSTCM-7 [X] - D - [X] - [X] - [X] - [X] - [X] - [X] - [X] - [X] - LF

Pins Per Row: 01 - 50
 Row Specification: D = Dual Row
 Desired Post Height: Please specify e.g. .100 (2.54) = 100
 Lead Free
 Alignment Pin: Leave blank if not needed AP = With

Pin Options		
Length		
.136	3.45mm	04
.186	4.72mm	06
.236	5.99mm	08
.286	7.26mm	10
.336	8.53mm	12
.386	9.80mm	14

Packing Information
 TR-P = Tape and Reel with Plastic Pick and Place pad
 TB-P = Tube with Plastic Pick and Place pad
 TB-0 = Tube without Pick and Place Pad
 If left blank, packaging at MLE's discretion
 Pad may be metal, mylar or plastic

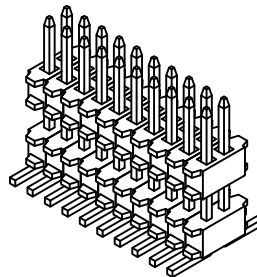
Polarized Position
 Leave blank if not needed
 If required, specify empty pin position, e.g. 012 for Pin 12

Desired Board Space
 Please specify e.g. .100 (2.54) = 100

Plating Options	
F	Gold Flash Over Entire Pin
T	200µ Matte Tin All Over

Specifications

Current Rating: 1.0 Ampere
 Insulation Resistance: 500MΩ Min.
 Dielectric Withstanding: 600V AC
 Contact Resistance: 20 mΩ Max.
 Operating Temperature: -40°C to +105°C
 Max. Process Temperature:
 Peak: 260°C up to 10 secs.
 Process: 230°C up to 60 secs.
 Wave: 260°C up to 6 secs.
 Reflow: 260°C up to 10 secs.
 Manual Solder: 350°C up to 5 secs.



Materials

Contact Material: Phosphor Bronze
 Insulator Material: Nylon 6T

Products cut to specific sizes are uncancellable/nonreturnable

Parts are subject to change without notice

BSTCM-7-D SERIES

.039 cl Dual Row - Surface Mount
 Board Stacker Terminal Strips

28 FEB 07

Scale
 NTS

UNLESS OTHERWISE SPECIFIED
 DIMENSIONS IN INCHES (MM)
 TOLERANCES ARE:

ONE PLACE DECIMALS ±.100
 TWO PLACE DECIMALS ±.010
 THREE PLACE DECIMALS ±.005
 FOUR PLACE DECIMALS ±.0020
 ANGLES
 35°



4235 Earnings Way, New Albany, Indiana, 47150, USA
 1-800-782-3486 (USA/Canada/Mexico)
 Tel: 812-944-7244
 Fax: 812-944-7268
 E-mail: mle@mlelectronics.com
 Web: www.mlelectronics.com

Revision
 D

Sheet
 1/2

