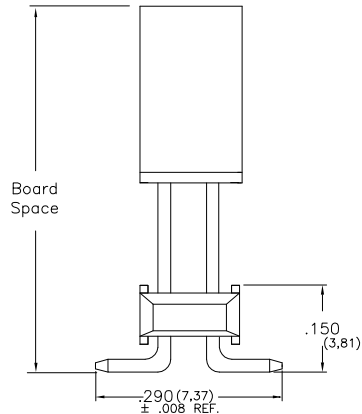
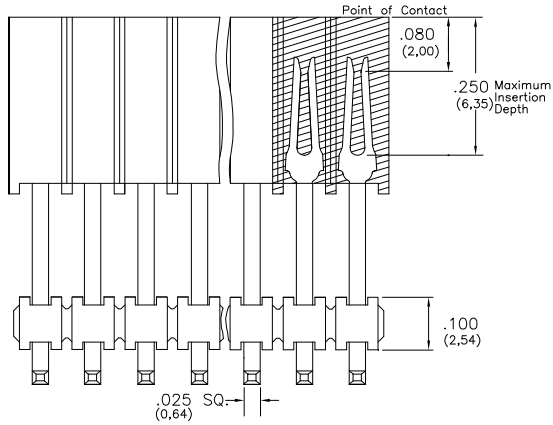
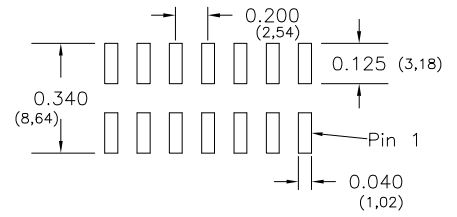
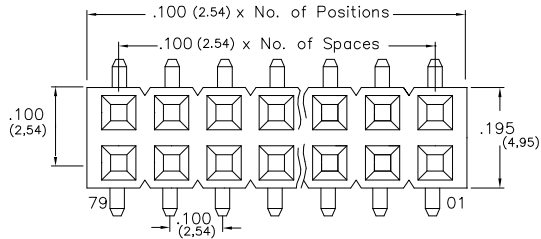


Major League Electronics .100 cl Board Stacker Socket - Surface Mount - Vertical



Tails may be clipped to achieve desired pin length

Ordering Information

BSSQM-1 - D - - - - - - - - - LF

Pins Per Row
01 - 40
Row Specification
D = Dual Row

Pin Options		
Max. Board Space		
.455	11.56mm	02
.655	16.67mm	04
.855	21.72mm	06

Plating Options		
30µ Gold on Contact Area / Matte Tin on Tail		H
Matte Tin all Over		T
10µ Gold on Contact Area / Matte Tin on Tail		GT
10µ Gold on Contact Area / Flash on Tail		G
Gold Flash over Entire Pin		F

Lead Free

Packing Information
TR-P = Tape and Reel with Plastic Pick and Place pad
TB-P = Tube with Plastic Pick and Place pad
TB-0 = Tube without Pick and Place Pad
*If left blank, packaging at MLE's discretion
Pad may be metal, mylar or plastic*

Polarized Position
Leave blank if not needed
If required, specify empty pin position, e.g. 012 for Pin 12

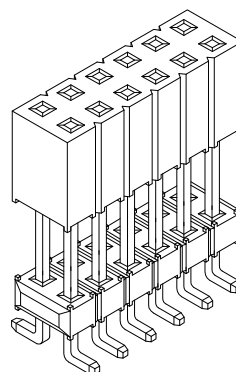
Desired Board Space
Please specify
e.g. .100 (2.54) = 100

Specifications

Insertion Depth: .145 (3.68) to .250 (6.35)
Insertion Force - Per Contact - H Plating:
6oz. (1.67N) avg with .025 (0.64mm) sq. pin
Withdrawal Force - Per Contact - H Plating:
5oz. (1.39N) avg with .025 (0.64mm) sq. pin
Current Rating: 3.0 Ampere
Insulation Resistance: 1000MΩ Min.
Dielectric Withstanding: 600V AC
Contact Resistance: 20 mΩ Max.
Operating Temperature: -40°C to + 105°C
Max. Process Temperature:
Peak: 260°C up to 20 secs.
Process: 230°C up to 60 secs.
Wave: 260°C up to 6 secs.
Manual Solder: 350°C up to 5 secs.

Materials

Contact Material: Phosphor Bronze
Insulator Material: Nylon 6T
Plating: Au or Sn over 50µ" (1.27) Ni



Mates with:

BSTC, TSHCR,
BSTCM, TSHCRE,
BSTCR, TSHCRSM,
BSTCRSM, TSHR,
BSTS, TSHRE,
LBSTCM, TSHS,
LTSHCR, TSHSCM,
LTSHCRE, TSHSM,
LTSHR, ULTSHSM,
LTSHRE, ULTSHC,
LTSHSM, ULTHSCR,
TSHC,

Products cut to specific sizes are uncancellable/nonreturnable

Parts are subject to change without notice

BSSQM-1-DV SERIES

.100 cl Dual Row - Vertical
Board Stacker Socket - Surface Mount

25 JAN 07

Scale
NTS

UNLESS OTHERWISE SPECIFIED
DIMENSIONS IN INCHES (MM)
TOLERANCES ARE:

ONE PLACE DECIMALS ±.100
TWO PLACE DECIMALS ±.010
THREE PLACE DECIMALS ±.005
FOUR PLACE DECIMALS ±.0020
ANGLES
±.5°



4235 Earnings Way, New Albany, Indiana, 47150, USA
1-800-782-3486 (USA/Canada/Mexico)
Tel: 812-944-7244
Fax: 812-944-7268
E-mail: mle@mlelectronics.com
Web: www.mlelectronics.com

Edition
1

Sheet
1/1