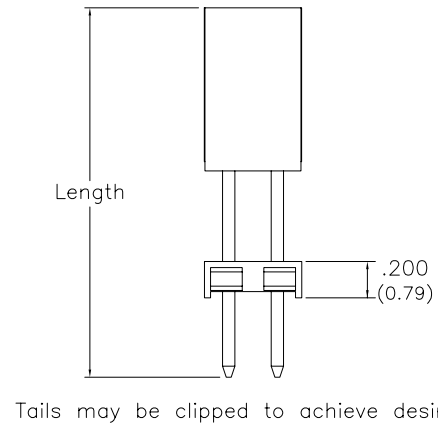
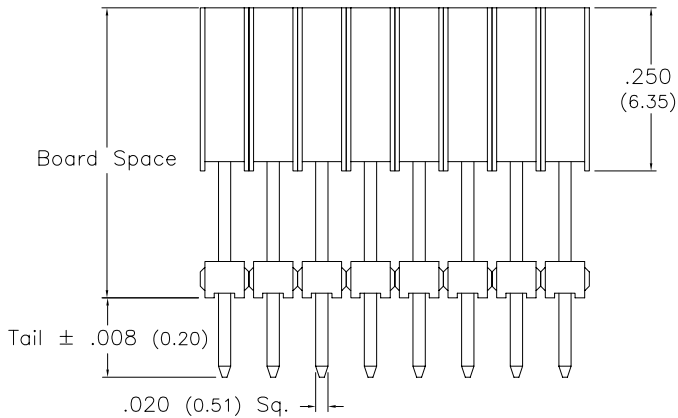
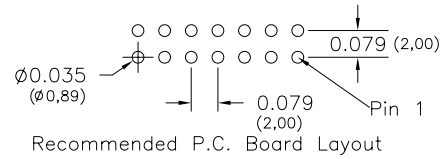
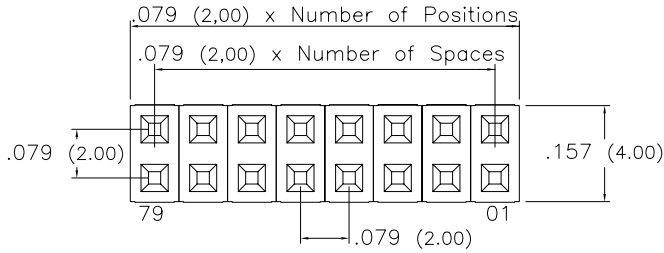


# Major League Electronics .079 cl Board Stacker Socket Strips - using .020"sq. pins



## Ordering Information

BSSQ-2  - D -  -  -  -  -  -  - LF

Pins Per Row

01 - 40

Row Specification

D = Dual Row

Lead Free

Every Other Pin Filled

Leave blank if not needed

E = Filled

Polarized Position

Leave blank if not needed

If required, specify empty pin position, e.g. 012 for Pin 12

Lock Tight "LT" Option

Leave blank if not needed

LT = With

Pin Options				
Board Space	Tail Length			
.329	8.36mm	.085	2.16mm	02
		.129	3.28mm	04
		.205	5.21mm	06
		.361	9.17mm	08
		.521	13.23mm	10
.408	10.36mm	.124	3.15mm	12
		.284	7.21mm	14
		.442	11.23mm	16
.487	12.37mm	.126	3.20mm	18
		.363	9.22mm	20
		.566	14.38mm	.284
.645	16.38mm	.205	5.21mm	24
.724	18.39mm	.126	3.20mm	26

### Plating Options

G	10μ Gold on Contact Area / Flash on Tail
GT	10μ Gold on Contact Area / Matte Tin on Tail
H	30μ Gold on Contact Area / Matte Tin on Tail
T	Matte Tin All Over

## Specifications

Current Rating: 2.0 Ampere

Insulation Resistance: 1000MΩ Min.

Dielectric Withstanding: 500V AC

Contact Resistance: 20 mΩ Max.

Operating Temperature: -40°C to + 105°C

Max. Process Temperature:

Peak: 260°C up to 10 secs.

Process: 230°C up to 60 secs.

Wave: 260°C up to 6 secs.

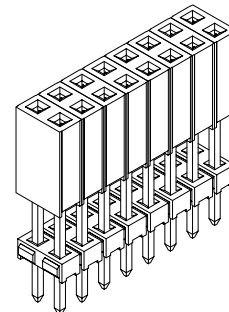
Manual Solder: 350°C up to 5 secs.

## Materials

Contact Material: Phosphor Bronze

Insulator Material: Nylon 6T

Plating: Au or Sn over 50μ" (1,27) Ni



Mates with:

SSHS,  
SSHR,  
SH,  
BSSH,  
BSSQ,  
SSHSM,  
SSHQ,  
SSHQR

Products cut to specific sizes are uncancellable/nonreturnable

Parts are subject to change without notice

## BSSQ-2-D SERIES

.079cl Dual Row  
Board Stacker Socket Strips

19 MAR 07

Scale  
NTS

UNLESS OTHERWISE SPECIFIED  
DIMENSIONS IN INCHES (MM)  
TOLERANCES ARE:

ONE PLACE DECIMALS ±.100  
TWO PLACE DECIMALS ±.010  
THREE PLACE DECIMALS ±.005  
FOUR PLACE DECIMALS ±.0020

ANGLES  
±5°



4235 Earnings Way, New Albany, Indiana, 47150, USA  
1-800-782-3486 (USA/Canada/Mexico)

Tel: 812-944-7244

Fax: 812-944-7268

E-mail: mle@mlelectronics.com

Web: www.mlelectronics.com

Edition  
1

Sheet  
1/1