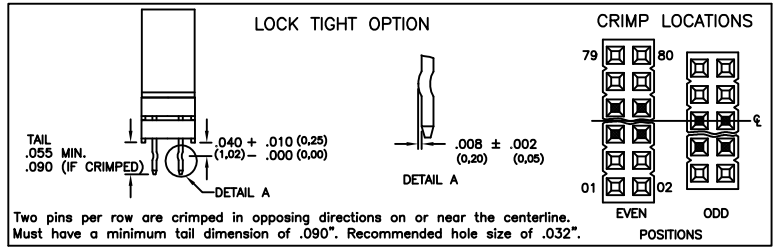
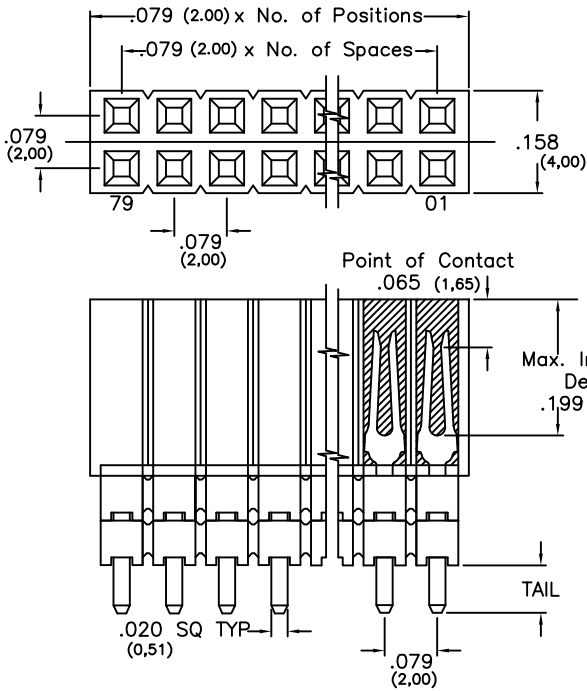
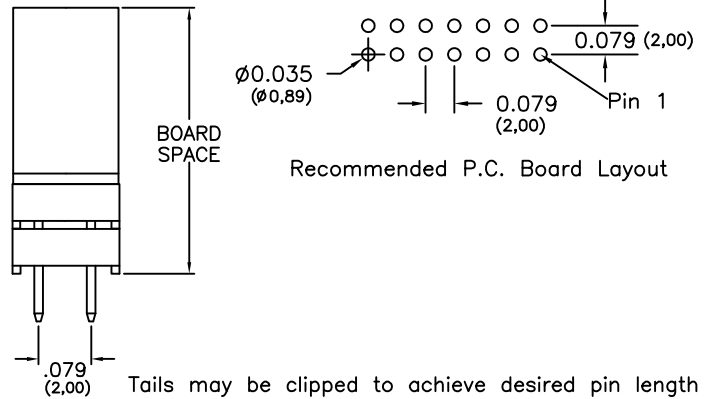


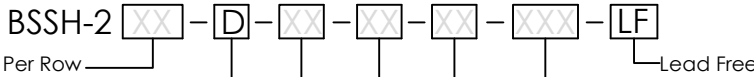
Major League Electronics .079 cl Board Stacker Socket Strips



Two pins per row are crimped in opposing directions on or near the centerline. Must have a minimum tail dimension of .090". Recommended hole size of .032".



Ordering Information



Pin Options		
Board Space	Tail Length	
.324	8.23mm	.091 2.31mm 02
		.249 6.32mm 04
		.399 10.13mm 06
.383	9.73mm	.095 2.41mm 07
		.190 4.83mm 08
		.340 8.64mm 10
.442	11.23mm	.131 3.33mm 12
		.281 7.14mm 14
		.222 5.64mm 16
.501	12.53mm	.163 4.14mm 18
		.104 2.64mm 20

Polarized Position
Leave blank if not needed
If required, specify empty pin position, e.g. 012 for Pin 12

Lock Tight "LT" Option
Leave blank if not needed
LT = With

Plating Options	
G	10µ Gold on Contact Area / Flash on Tail
T	Matte Tin All Over
GT	10µ Gold on Contact Area / Matte Tin on Tail
H	30µ Gold on Contact Area / Matte Tin on Tail
F	Gold Flash over Entire Pin

- Mates with:
- BSTC,
 - BSTCM,
 - BSTCR,
 - BSTCRSM,
 - BSTS,
 - TBSTC,
 - TBSTCM,
 - TBSTCR,
 - TSHC,
 - TSHCR,
 - TSHCRE,
 - TSHCRSM,
 - TSHR,
 - TSHRE,
 - TSHS,
 - TSHSCM,
 - TTSHC,
 - TTSHCR,
 - TTSHCRE,
 - TTSHR,
 - TTSHRE,
 - TTSHS,
 - TTSHSM

Specifications

Insertion Force - Single Contact only - H Plating:
4oz. (1,11N) avg with .079 (2,00mm) sq. pin

Withdrawal Force - Single Contact only - H Plating:
3oz. (0,83N) avg with .079 (2,00mm) sq. pin

Current Rating: 2.0 Ampere

Insulation Resistance: 1000MΩ Min.

Dielectric Withstanding: 500V AC

Contact Resistance: 10 mΩ Max.

Operating Temperature: -40°C to + 105°C

Max. Process Temperature:

- Peak: 260°C up to 10 secs.
- Process: 230°C up to 60 secs.
- Wave: 260°C up to 6 secs.
- Manual Solder: 350°C up to 5 secs.

Materials

Contact Material: Phosphor Bronze
Insulator Material: Nylon 6T
Plating: Au or Sn over 50µ" (1,27) Ni

Products cut to specific sizes are uncancellable/nonreturnable

Parts are subject to change without notice

BSSH-2-D SERIES

.079cl Dual Row
Board Stacker Socket Strips

15 FEB 07

Scale
NTS

UNLESS OTHERWISE SPECIFIED
DIMENSIONS IN INCHES (MM)
TOLERANCES ARE:

ONE PLACE DECIMALS ±.100
TWO PLACE DECIMALS ±.010
THREE PLACE DECIMALS ±.005
FOUR PLACE DECIMALS ±.0020

ANGLES
±3°



4235 Earnings Way, New Albany, Indiana, 47150, USA
1-800-782-3486 (USA/Canada/Mexico)
Tel: 812-944-7244
Fax: 812-944-7268
E-mail: mle@mlelectronics.com
Web: www.mlelectronics.com

Edition
1

Sheet
1/1