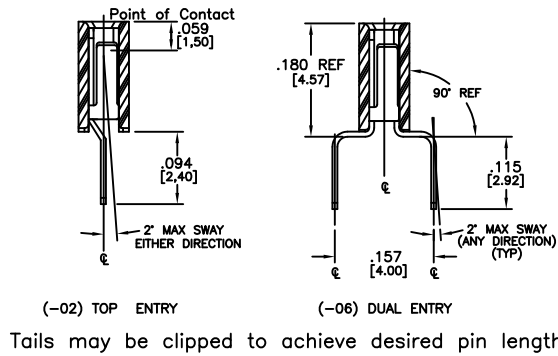
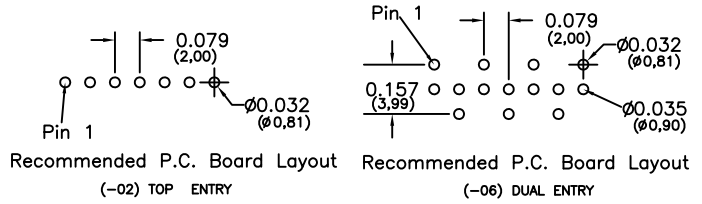
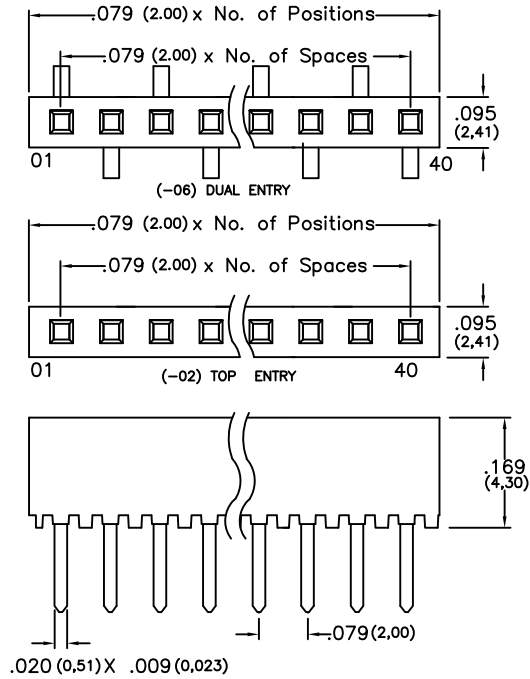
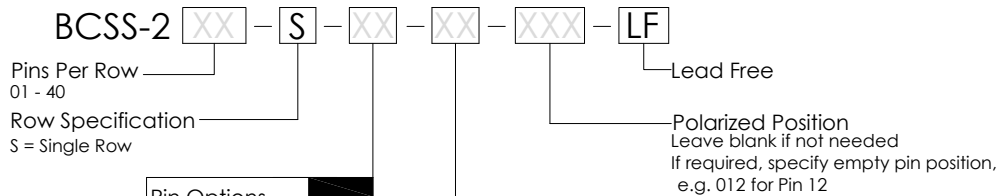


Major League Electronics .079 cl Box Contact Socket Strip



Ordering Information



Pin Options	
Top Entry	02
Dual Entry	06

Plating Options	
G	10 μ Gold on Contact Area / Flash on Tail
T	Matte Tin All Over
GT	10 μ Gold on Contact Area / Matte Tin on Tail
H	30 μ Gold on Contact Area / Matte Tin on Tail
F	Gold Flash over Entire Pin

Specifications

Insertion Force - Single Contact only - H Plating:
3.7oz. (1.03N) avg with .0197 (0.50mm) sq. pin

Withdrawal Force - Single Contact only - H Plating:
2.2oz. (0.61N) avg with .0197 (0.50mm) sq. pin

Current Rating: 2.0 Ampere

Insulation Resistance: 1000M Ω Min.

Dielectric Withstanding: 500V AC

Contact Resistance: 10 m Ω Max.

Operating Temperature: -40°C to + 105°C

Max. Process Temperature:

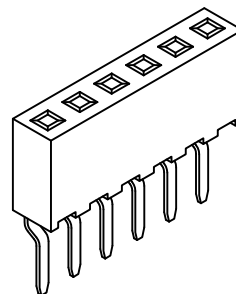
- Peak: 260°C up to 10 secs.
- Process: 230°C up to 60 secs.
- Wave: 260°C up to 6 secs.
- Manual Solder: 350°C up to 5 secs.

Materials

Contact Material: Phosphor Bronze
Insulator Material: Nylon 6T
Plating: Au or Sn over 50 μ " (1.27) Ni

Mates with:

BSTC,
BSTCM,
BSTCR,
BSTCRSM,
BSTS,
TBSTC,
TBSTCM,
TBSTS,
TSHC,
TSHCR,
TSHCRE,
TSHCRSM,
TSHR,
TSHRE,
TSHS,
TSHSCM,
TTSHC,
TTSHCR,
TTSHCRE,
TTSHR,
TTSHRE,
TTSHS,
TTSHSM



Products cut to specific sizes are uncancellable/nonreturnable

Parts are subject to change without notice

BCSS-2-SV SERIES

Box Contact Socket Strip

15 FEB 07

Scale
NTS

UNLESS OTHERWISE SPECIFIED
DIMENSIONS IN INCHES (MM)
TOLERANCES ARE:

ONE PLACE DECIMALS $\pm .100$
TWO PLACE DECIMALS $\pm .010$
THREE PLACE DECIMALS $\pm .005$
FOUR PLACE DECIMALS $\pm .0020$
ANGLES
35

Major League
ELECTRONICS

4235 Earnings Way, New Albany, Indiana, 47150, USA
1-800-782-3486 (USA/Canada/Mexico)
Tel: 812-944-7244
Fax: 812-944-7268
E-mail: mle@mlelectronics.com
Web: www.mlelectronics.com

Revision
B

Sheet
1/2

Revisions

Revision B - 8th Nov 2010

Removed staggered pin type bottom view from drawing.

Products cut to specific sizes are uncancellable/nonreturnable

Parts are subject to change without notice

BCSS-2-SV SERIES

Box Contact Socket Strip

15 FEB 07

Scale
NTS

UNLESS OTHERWISE SPECIFIED
DIMENSIONS IN INCHES (MM)
TOLERANCES ARE:

ONE PLACE DECIMALS \pm .100
TWO PLACE DECIMALS \pm .010
THREE PLACE DECIMALS \pm .005
FOUR PLACE DECIMALS \pm .0020

ANGLES
 \pm 5°



4235 Earnings Way, New Albany, Indiana, 47150, USA
1-800-782-3486 (USA/Canada/Mexico)

Tel: 812-944-7244

Fax: 812-944-7268

E-mail: mle@mlelectronics.com

Web: www.mlelectronics.com

Revision
B

Sheet
2/2