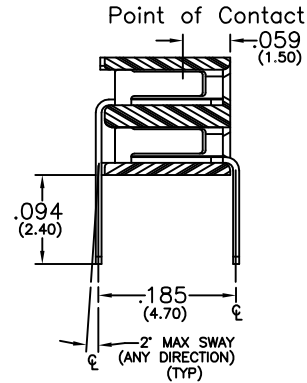
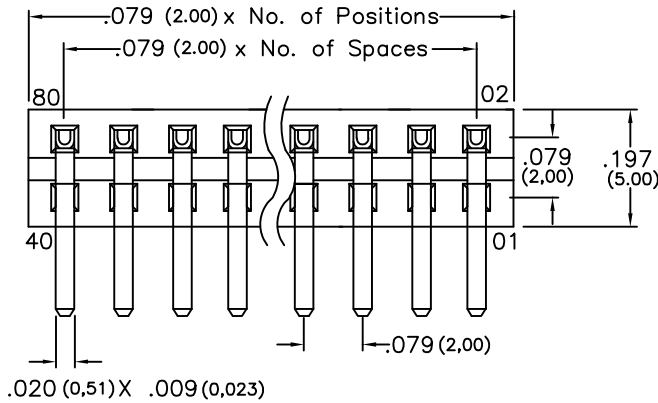
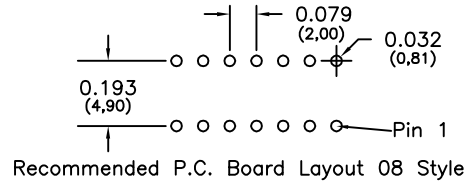
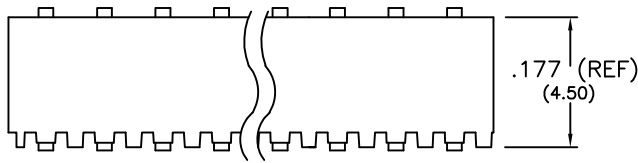


# Major League Electronics .079 cl Box Contact Socket Strip - Horizontal



Tails may be clipped to achieve desired pin length

## Ordering Information

BCSS-2  - D - 08 -  -  - LF

Pins Per Row  
01 - 40

Row Specification  
D = Dual Row

Horizontal Entry

Lead Free

Polarized Position  
Leave blank if not needed  
If required, specify empty pin position, e.g. 012 for Pin 12

Plating Options	
G	10µ Gold on Contact Area / Flash on Tail
T	Matte Tin All Over
GT	10µ Gold on Contact Area / Matte Tin on Tail
H	30µ Gold on Contact Area / Matte Tin on Tail
F	Gold Flash over Entire Pin

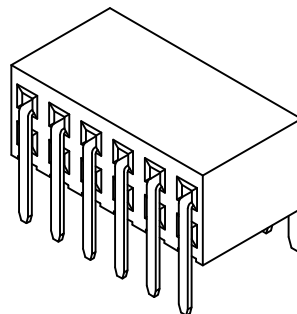
## Specifications

Insertion Force - Single Contact only - H Plating:  
3.7oz. (1,03N) avg with .0197 (0,50mm) sq. pin  
Withdrawal Force - Single Contact only - H Plating:  
2.2oz. (0,61N) avg with .0197 (0,50mm) sq. pin  
Current Rating: 2.0 Ampere  
Insulation Resistance: 1000MΩ Min.  
Dielectric Withstanding: 500V AC  
Contact Resistance: 20 mΩ Max.  
Operating Temperature: -40°C to + 105°C  
Max. Process Temperature:  
Peak: 260°C up to 10 secs.  
Process: 230°C up to 60 secs.  
Wave: 260°C up to 6 secs.  
Manual Solder: 350°C up to 5 secs.

## Materials

Contact Material: Phosphor Bronze  
Insulator Material: Nylon 6T  
Plating: Au or Sn over 50µ" (1,27) Ni

Mates with:  
BSTC,  
BSTCM,  
BSTCR,  
BSTCRSM,  
BSTS,  
TBSTC,  
TBSTCM,  
TBSTS,  
TBSTCM,  
TBSTS,  
TSHC,  
TSHCR,  
TSHCRE,  
TSHCRSM,  
TSHR,  
TSHRE,  
TSHS,  
TSHSCM,  
TSHSC,  
TSHSCR,  
TSHSCRE,  
TSHSR,  
TSHRE,  
TSHS,  
TSHSM



Products cut to specific sizes are uncancellable/nonreturnable

Parts are subject to change without notice

BCSS-2-D-08 SERIES

.079 cl Dual Row - Horizontal  
Box Contact Socket Strip

15 FEB 07

Scale  
NTS

UNLESS OTHERWISE SPECIFIED  
DIMENSIONS IN INCHES (MM)  
TOLERANCES ARE:

ONE PLACE DECIMALS ±.100  
TWO PLACE DECIMALS ±.010  
THREE PLACE DECIMALS ±.005  
FOUR PLACE DECIMALS ±.0020  
ANGLES  
±.5°



4235 Earnings Way, New Albany, Indiana, 47150, USA  
1-800-782-3486 (USA/Canada/Mexico)  
Tel: 812-944-7244  
Fax: 812-944-7268  
E-mail: mle@mlelectronics.com  
Web: www.mlelectronics.com


Revision  
B

Sheet  
1/2

## Revisions

Revision B - 17th July 2009

Body Height amended from .157 (4.00mm) to .197 (5.00mm)

	BCSS-2-D-08 SERIES	.079 cl Dual Row - Horizontal Box Contact Socket Strip	15 FEB 07	Scale NTS
<small>UNLESS OTHERWISE SPECIFIED DIMENSIONS IN INCHES (MM) TOLERANCES ARE:  ONE PLACE DECIMALS ±.100 TWO PLACE DECIMALS ±.010 THREE PLACE DECIMALS ±.005 FOUR PLACE DECIMALS ±.0020  ANGLES ±5°</small>		4235 Earnings Way, New Albany, Indiana, 47150, USA 1-800-782-3486 (USA/Canada/Mexico) Tel: 812-944-7244 Fax: 812-944-7268 E-mail: mle@mlelectronics.com Web: www.mlelectronics.com	Revision B	Sheet 2/2