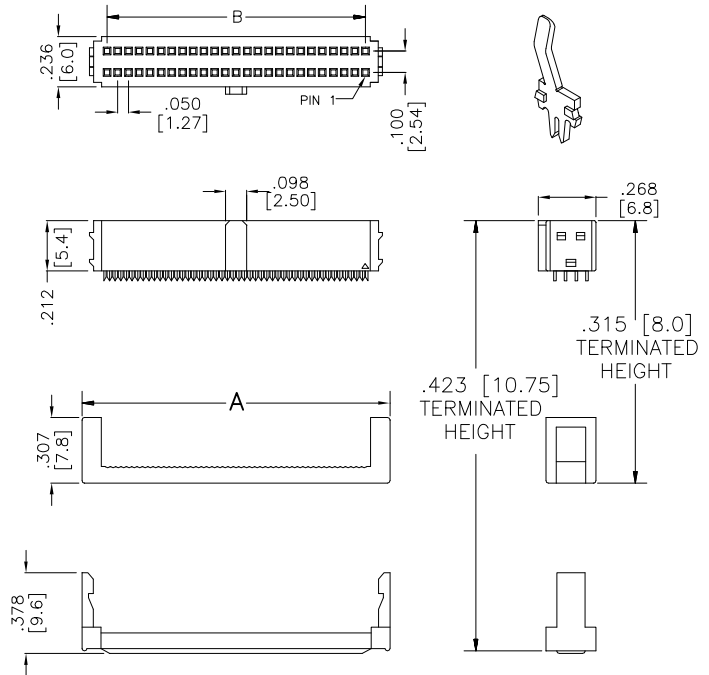


# Major League Electronics .050" cl x .100" cl Insulation Displacement Socket

PINS PER ROW	A	B
5	0.441 (11.20)	0.20 (5.08)
10	0.691 (17.55)	0.45 (11.43)
13	0.841 (21.36)	0.60 (15.24)
15	0.941 (23.90)	0.70 (17.78)
17	1.041 (26.44)	0.80 (20.32)
20	1.191 (30.25)	0.95 (24.13)
25	1.441 (36.60)	1.20 (30.48)
30	1.691 (42.95)	1.45 (36.83)
34	1.891 (48.03)	1.65 (41.91)
40	2.191 (55.65)	1.95 (49.53)
50	2.691 (68.35)	2.45 (62.23)



Tails may be clipped to achieve desired pin length

## Ordering Information

IDS-6  -  -  -  -  -  -  - LF

Pins Per Row  
only available in:  
05, 10, 13, 15, 17, 20, 25,  
30, 34, 40, 50

Double

Style  
02 = Black

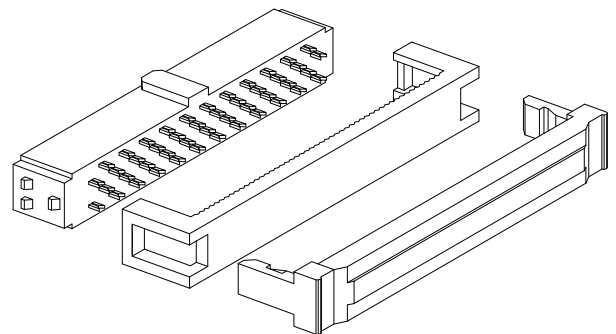
Lead Free

Polarized Position  
010 - 100  
Leave blank if not needed

Options  
01 = With Strain Relief  
02 = Without Strain Relief

Plating Options	
- 10μ Gold on Contact area/Flash on Tail	G
- 10μ Gold on Contact Area/Matte Tin on Tail	GT
- 3μ Selective Gold	FT
- Matte Tin all Over	T
- Gold Flash Over Entire Pin	F

Standard plating = T



Mates with:  
SHTS-6, SHTSL-6,  
SHTSR-6, SHTSLR-6

Insulator	PBT, glass reinforced, rated UL 94V-0	Current Rating	1 Amp
Contact	Phosphor Bronze	Dielectric Withstanding	250V AC for one minute
Insulation Resistance	1000 MOHMS min.	Operating Temperature	-40°C to +105°C
Contact Resistance	30 mOHMSmax.	Terminated with	.025" (.635mm) pitch flat ribbon cable

Products cut to specific sizes are uncancellable/nonreturnable

Parts are subject to change without notice

## IDS-6 SERIES

.050" cl x .100" cl Insulation Displacement Socket

23 APR 07

Scale  
NTS

UNLESS OTHERWISE SPECIFIED  
DIMENSIONS IN INCHES (MM)  
TOLERANCES ARE:

ONE PLACE DECIMALS ±.100  
TWO PLACE DECIMALS ±.010  
THREE PLACE DECIMALS ±.005  
FOUR PLACE DECIMALS ±.002



4235 Earnings Way, New Albany, Indiana, 47150, USA  
1-800-782-3486 (USA/Canada/Mexico)

Tel: 812-944-7244  
Fax: 812-944-7268

E-mail: mle@melectronics.com  
Web: www.melectronics.com

Edition  
1

Sheet  
1/1