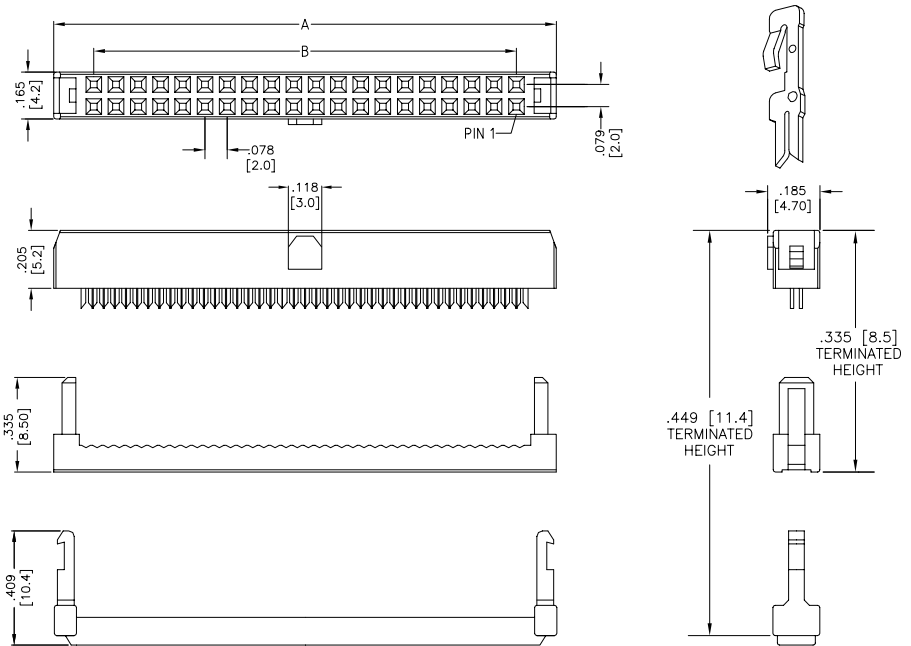


Major League Electronics .079" cl Insulation Displacement Socket

PINS PER ROW	A	B
3	0.437 [11.1]	0.157 [4.0]
4	0.516 [13.1]	0.236 [6.0]
5	0.594 [15.1]	0.315 [8.0]
6	0.673 [17.1]	0.394 [10.0]
7	0.752 [19.1]	0.472 [12.0]
8	0.831 [21.1]	0.551 [14.0]
9	0.909 [23.1]	0.629 [16.0]
10	0.988 [25.1]	0.708 [18.0]
11	1.067 [27.1]	0.787 [20.0]
12	1.146 [29.1]	0.866 [22.0]
13	1.224 [31.1]	0.945 [24.0]
15	1.382 [35.1]	1.102 [28.0]
16	1.461 [37.1]	1.181 [30.0]
17	1.539 [39.1]	1.260 [32.0]
18	1.618 [41.1]	1.339 [34.0]
19	1.697 [43.1]	1.417 [36.0]
20	1.776 [45.1]	1.496 [38.0]
22	1.933 [49.1]	1.653 [42.0]
24	2.090 [53.1]	1.811 [46.0]
25	2.169 [55.1]	1.890 [48.0]
28	2.405 [61.1]	2.126 [54.0]
30	2.563 [65.1]	2.283 [58.0]
32	2.720 [69.1]	2.441 [62.0]
34	2.878 [73.1]	2.598 [66.0]



Tails may be clipped to achieve desired pin length

Ordering Information

IDS-2 - - - - - - - - LF

Pins Per Row
only available in:
03, 04, 05, 06, 07, 08, 09, 10, 11, 12,
13, 15, 16, 17, 18, 19, 20, 22, 24, 25, 28,
30, 32, 34

Double

Style
02 = Black

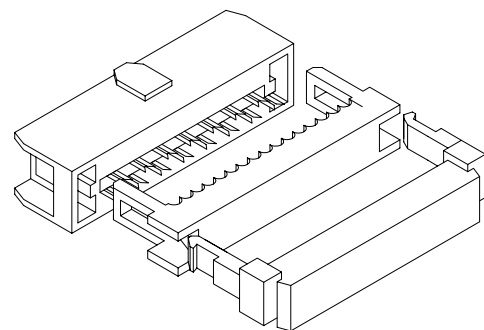
Plating Options	
- 10µ Gold on Contact area/Flash on Tail	G
- 10µ Gold on Contact area/Matte Tin on Tail	GT
- 3µ Selective Gold	FT
- Matte Tin all Over	T
- Gold Flash over Entire Pin	F

Standard plating = T

Polarized Position
006 - 068
Leave blank if not needed

Options
01 = With Strain Relief
02 = Without Strain Relief

Lead Free



Mates with:
SHSTL-2, SHBSTC-2,
SHBSTCM-2, SHTSHC-2,
SHTSHR-2, SHTSHSM-2

Insulator	PBT, glass reinforced, rated UL 94V-0	Current Rating	1 Amp
Contact	Phosphor Bronze	Dielectric Withstanding	500V AC for one minute
Insulation Resistance	3000 MOHMS min.	Operating Temperature	-40°C to +105°C
Contact Resistance	30 mOHMSmax.	Terminated with	.039" [1.0mm] pitch flat ribbon cable

Products cut to specific sizes are uncancellable/nonreturnable

Parts are subject to change without notice

IDS-2 SERIES

.079" cl Insulation Displacement Socket

23 APR 07

Scale
NTS

UNLESS OTHERWISE SPECIFIED
DIMENSIONS IN INCHES (MM)
TOLERANCES ARE:

ONE PLACE DECIMALS ±.100
TWO PLACE DECIMALS ±.010
THREE PLACE DECIMALS ±.005
FOUR PLACE DECIMALS ±.002



4235 Earnings Way, New Albany, Indiana, 47150, USA
1-800-782-3486 (USA/Canada/Mexico)

Tel: 812-944-7244

Fax: 812-944-7268

E-mail: mle@mlelectronics.com

Web: www.mlelectronics.com

Edition
1

Sheet
1/1