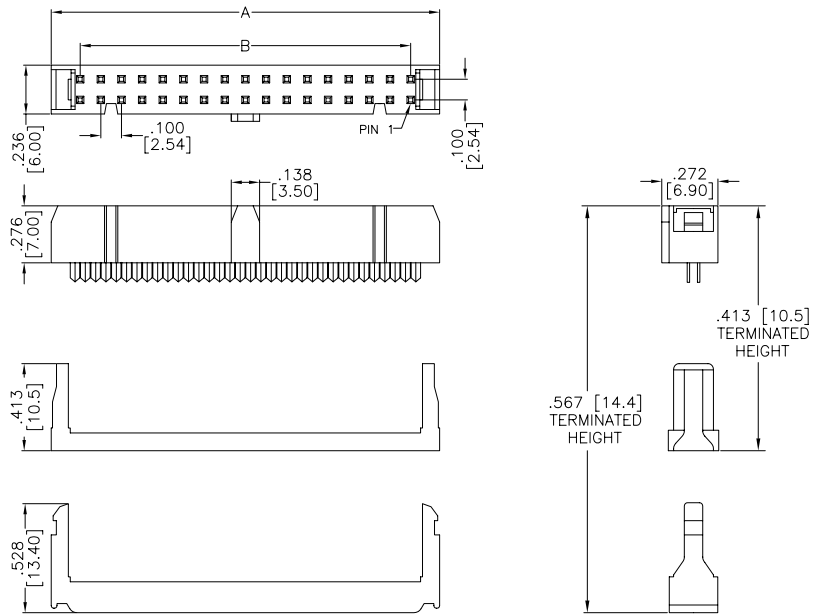


Major League Electronics .100" cl Insulation Displacement Socket

Pins per Row	A		B	
	Inches	mm	Inches	mm
3	.480	12.18mm	.200	5.08mm
4	.580	14.72mm	.300	7.62mm
5	.680	17.26mm	.400	10.16mm
6	.780	19.80mm	.500	12.70mm
7	.880	22.34mm	.600	15.24mm
8	.980	24.88mm	.700	17.78mm
10	1.180	29.96mm	.900	22.86mm
12	1.380	35.04mm	1.100	27.94mm
13	1.480	37.58mm	1.200	30.48mm
15	1.680	42.66mm	1.400	35.56mm
17	1.880	47.74mm	1.600	40.64mm
18	1.980	50.28mm	1.700	43.18mm
20	2.180	55.36mm	1.900	48.26mm
22	2.380	60.44mm	2.100	53.34mm
25	2.680	68.06mm	2.400	60.96mm
28	2.980	75.68mm	2.700	68.58mm
30	3.180	80.76mm	2.900	73.66mm
31	3.280	83.30mm	3.000	76.20mm
32	3.380	85.84mm	3.100	78.74mm



Tails may be clipped to achieve desired pin length

Ordering Information

IDS-1 - - D - 02 - - - - LF

Pins Per Row
only available in:
03, 04, 05, 06, 07, 08, 10, 12, 13, 15,
17, 18, 19, 20, 22, 25, 28, 30, 31, 32

Double

Style
02 = Black

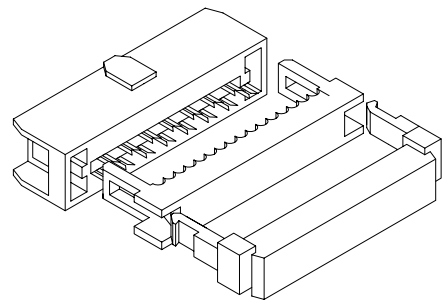
Lead Free

Polarized Position
006 - 064
Leave blank if not needed

Options
01 = With Strain Relief
02 = Without Strain Relief

Plating Options	
- 10µ Gold on Contact area/Flash on Tail	G
- 10µ Gold on Contact area/Matte Tin on Tail	GT
- 3µ Selective Gold	FT
- Matte Tin all Over	T
- Gold Flash Over Entire Pin	F

Standard plating = T



Mates with:
SHSTL-1, SHBSTC-1,
SHBSTCM-1, SHTSHC-1,
SHTSHR-1, SHTSHSM-1

Insulator	PBT, glass reinforced, rated UL 94V-0	Current Rating	1 Amp
Contact	Phosphor Bronze or Brass	Dielectric Withstanding	500V AC for one minute
Insulation resistance	3000 MOHMS min.	Operating Temperature	-40°C to +105°C
Contact Resistance	30 mOHMSmax.	Terminated with	.050" [1.27mm] pitch flat ribbon cable

Products cut to specific sizes are uncancellable/nonreturnable

Parts are subject to change without notice

IDS-1 SERIES

.100" cl Insulation Displacement Socket

19 APR 07

Scale
NTS

UNLESS OTHERWISE SPECIFIED
DIMENSIONS IN INCHES (MM)
TOLERANCES ARE:

ONE PLACE DECIMALS ±.100
TWO PLACE DECIMALS ±.010
THREE PLACE DECIMALS ±.005
FOUR PLACE DECIMALS ±.002



4235 Earnings Way, New Albany, Indiana, 47150, USA
1-800-782-3486 (USA/Canada/Mexico)
Tel: 812-944-7244
Fax: 812-944-7268
E-mail: mle@mlelectronics.com
Web: www.mlelectronics.com

Revision
B

Sheet
1/2

Revisions

Revision B - (7th Mar 2008)

'Terminated Height' dimensions added to drawing

IDS-1 SERIES

.100" cl Insulation Displacement Socket

19 APR 07

Scale
NTS

UNLESS OTHERWISE SPECIFIED
DIMENSIONS IN INCHES (MM)
TOLERANCES ARE:

ONE PLACE DECIMALS ±.100
TWO PLACE DECIMALS ±.010
THREE PLACE DECIMALS ±.005
FOUR PLACE DECIMALS ±.002



4235 Earnings Way, New Albany, Indiana, 47150, USA
1-800-782-3486 (USA/Canada/Mexico)

Tel: 812-944-7244
Fax: 812-944-7268

E-mail: mle@mlelectronics.com
Web: www.mlelectronics.com

Revision
B

Sheet
2/2