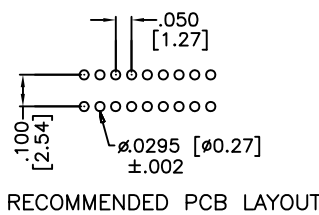
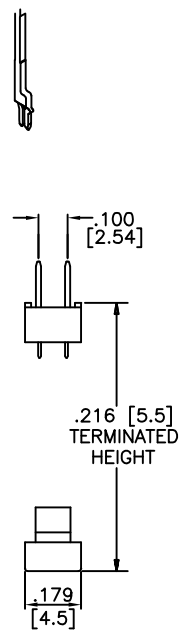
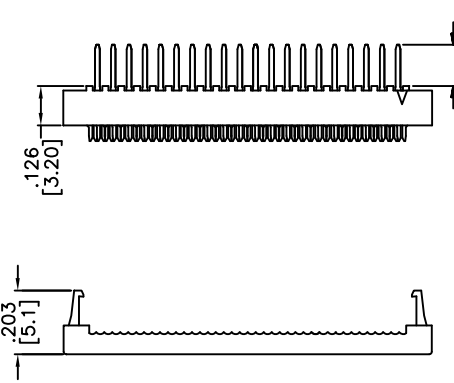
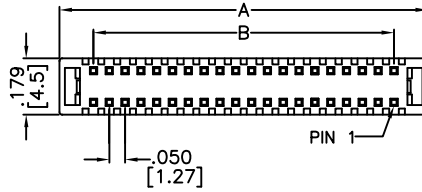


Major League Electronics .050" cl x .100" cl Insulation Displacement Plug

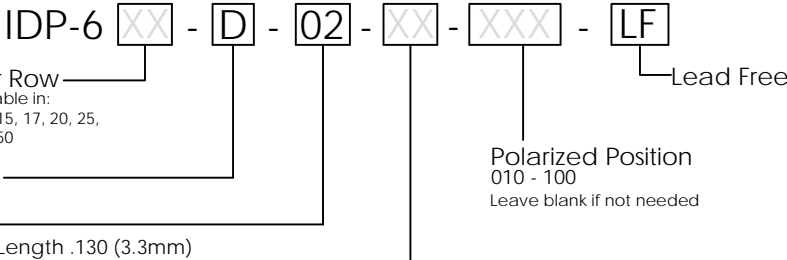
PINS PER ROW	A	B
5	0.415 [10.55]	0.200 [5.08]
10	0.665 [16.90]	0.450 [11.43]
13	0.815 [20.71]	0.600 [15.24]
15	0.915 [23.25]	0.700 [17.78]
17	1.015 [25.79]	0.800 [20.32]
20	1.165 [29.60]	0.950 [24.13]
25	1.415 [35.95]	1.200 [30.48]
30	1.665 [42.30]	1.450 [36.83]
34	1.865 [47.38]	1.650 [41.91]
40	2.165 [55.00]	1.950 [49.53]
50	2.665 [67.70]	2.450 [62.23]



RECOMMENDED PCB LAYOUT

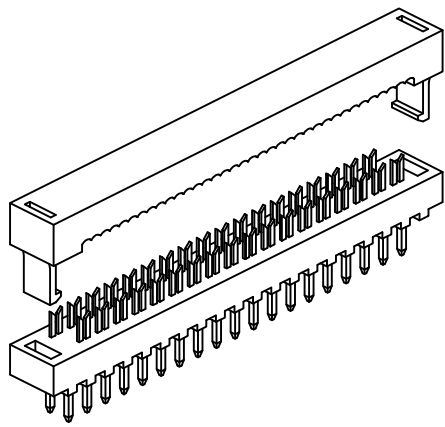
Tails may be clipped to achieve desired pin length

Ordering Information



Plating Options	
- 10μ Gold on Contact area/Flash on Tail	G
- 10μ Gold on contact area/Matte Tin on Tail	GT
- 3μ Selective Gold	FT
- Matte Tin all Over	T
- Gold Flash Over Entire Pin	F

Standard plating = T



Insulator	PBT, glass reinforced, rated UL 94V-0	Current Rating	1 Amp
Contact	Phosphor Bronze	Dielectric Withstanding	250V AC for one minute
Insulation Resistance	1000 MOHMS min.	Operating Temperature	-40°C to +105°C
Contact Resistance	30 mOHMSmax.	Terminated with:	.025" (.635mm) pitch flat ribbon cable

Products cut to specific sizes are uncancellable/nonreturnable Parts are subject to change without notice

IDP-6 SERIES	.050" cl x .100" cl Insulation Displacement Plug	23 APR 07	Scale NTS
<small>UNLESS OTHERWISE SPECIFIED DIMENSIONS IN INCHES (MM) TOLERANCES ARE: ONE PLACE DECIMALS ±.100 TWO PLACE DECIMALS ±.010 THREE PLACE DECIMALS ±.005 FOUR PLACE DECIMALS ±.002</small>		4235 Earnings Way, New Albany, Indiana, 47150, USA 1-800-782-3486 (USA/Canada/Mexico) Tel: 812-944-7244 Fax: 812-944-7268 E-mail: mle@mlelectronics.com Web: www.mlelectronics.com	
		Revision B	Sheet 1/2

Revisions

Revision B - 2nd July 2009

Amendment to all 'Dimension A' values in the dimension table.

IDP-6 SERIES

.050" cl x .100" cl Insulation Displacement Plug

23 APR 07

Scale
NTS

UNLESS OTHERWISE SPECIFIED
DIMENSIONS IN INCHES (MM)
TOLERANCES ARE:

ONE PLACE DECIMALS ±.100
TWO PLACE DECIMALS ±.010
THREE PLACE DECIMALS ±.005
FOUR PLACE DECIMALS ±.002



4235 Earnings Way, New Albany, Indiana, 47150, USA
1-800-782-3486 (USA/Canada/Mexico)

Tel: 812-944-7244

Fax: 812-944-7268

E-mail: mle@mlelectronics.com

Web: www.mlelectronics.com

Revision
B

Sheet
2/2