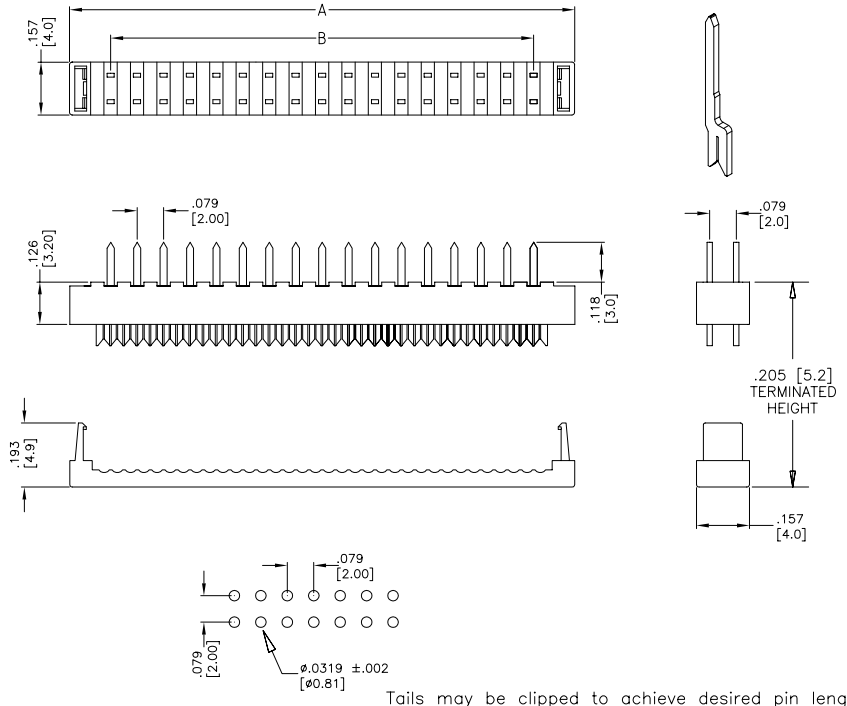


# Major League Electronics .079" cl Insulation Displacement Plug

PINS PER ROW	A	B
4	0.480 [12.20]	0.226 [6.0]
5	0.559 [14.20]	0.315 [8.0]
6	0.638 [16.20]	0.394 [10.0]
7	0.716 [18.20]	0.472 [12.0]
8	0.795 [20.20]	0.551 [14.0]
10	0.953 [24.20]	0.709 [18.0]
11	1.031 [26.20]	0.787 [20.0]
12	1.110 [28.20]	0.866 [22.0]
13	1.189 [30.20]	0.945 [24.0]
15	1.346 [34.20]	1.102 [28.0]
17	1.504 [38.20]	1.260 [32.0]
20	1.740 [44.20]	1.496 [38.0]
22	1.898 [48.20]	1.653 [42.0]
25	2.134 [54.20]	1.890 [48.0]
34	2.842 [72.20]	2.598 [66.0]



## Ordering Information

IDP-2  - D - 02 -  -  - LF

Pins Per Row  
04, 05, 06, 07, 08, 10, 11, 12, 13, 15,  
17, 20, 22, 25, 34

Double

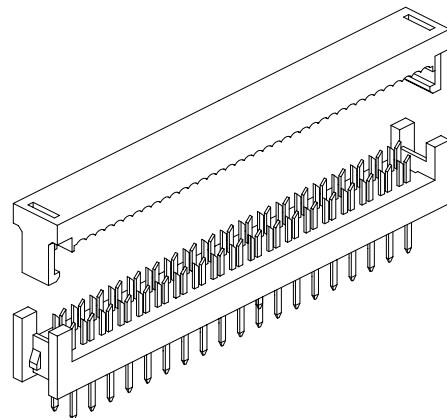
Style  
02 = Black

Lead Free

Polarized Position  
008 - 068  
Leave blank if not needed

Plating Options	
- 10µ Gold on Contact area/Flash on Tail	G
- 10µ Gold on Contact area/Matte Tin on Tail	GT
- 3µ Selective Gold	FT
- Matte Tin All Over	T
- Gold Flash Over Entire Pin	F

Standard plating = T



Insulator	PBT, glass reinforced, rated UL 94V-0	Current Rating	1 Amp
Contact	Phosphor Bronze	Dielectric Withstanding	500V AC for one minute
Insulation Resistance	3000 MOHMS min.	Operating Temperature	-40°C to +105°C
Contact Resistance	30 mOHMSmax.	Terminated with	.039" [1.0mm] pitch flat ribbon cable

Products cut to specific sizes are uncancellable/nonreturnable

Parts are subject to change without notice

## IDP-2 SERIES

.079" cl Insulation Displacement Plug

23 APR 07

Scale  
NTS

UNLESS OTHERWISE SPECIFIED  
DIMENSIONS IN INCHES (MM)  
TOLERANCES ARE:

ONE PLACE DECIMALS ±.100  
TWO PLACE DECIMALS ±.010  
THREE PLACE DECIMALS ±.005  
FOUR PLACE DECIMALS ±.0020  
ANGLES  
±.5°



4235 Earnings Way, New Albany, Indiana, 47150, USA  
1-800-782-3486 (USA/Canada/Mexico)

Tel: 812-944-7244  
Fax: 812-944-7268

E-mail: mle@mlelectronics.com  
Web: www.mlelectronics.com

Edition  
1

Sheet  
1/1