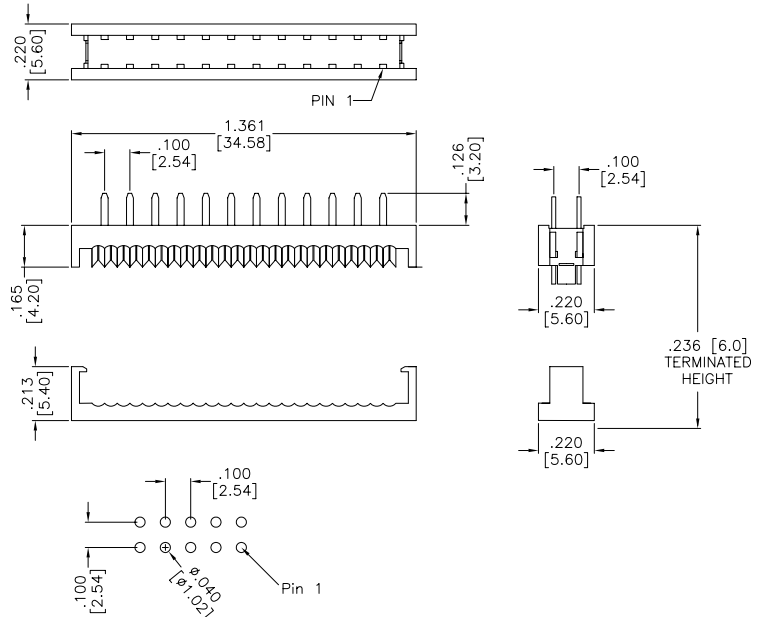


# Major League Electronics .100" cl Insulation Displacement Plug

PINS PER ROW	A		B	
	3	0.461	11.72	0.200
4	0.561	14.26	0.300	7.62
5	0.661	16.80	0.400	10.16
6	0.761	19.34	0.500	12.70
7	0.861	21.88	0.600	15.24
8	0.961	24.42	0.700	17.78
10	1.161	29.50	0.900	22.86
12	1.361	34.58	1.100	27.94
13	1.461	37.12	1.200	30.48
15	1.661	42.20	1.400	35.56
16	1.761	44.74	1.500	38.10
17	1.861	47.28	1.600	40.64
20	2.161	54.90	1.900	48.26
25	2.661	67.60	2.400	60.96
30	3.161	80.30	2.900	73.66
32	3.361	85.38	3.100	78.74



RECOMMENDED PCB LAYOUT

Tails may be clipped to achieve desired pin length

## Ordering Information

IDP-1  - D - 02 -  -  - LF

Pins Per Row  
only available in:  
03, 04, 05, 06, 07, 08, 10, 12,  
13, 15, 16, 17, 20, 25, 30, 32

Double

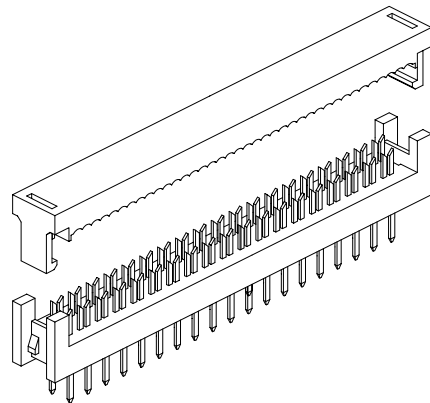
Style  
02 = Black

Lead Free

Polarized Position  
006 - 064  
Leave blank if not needed

Plating Options	
- 10μ Gold on Contact area/Flash on Tail	G
- 10μ Gold on Contact Area/Matte Tin on Tail	GT
- 3μ Selective Gold	FT
- Matte Tin all Over	T
- Gold Flash Over Entire Pin	F

Standard plating = T



Insulator	PBT, glass reinforced, rated UL 94V-0	Current Rating	1 Amp
Contact	Phosphor Bronze or Brass	Dielectric Withstanding	500V AC for one minute
Insulation resistance	3000 MOHMS min.	Operating Temperature	-40°C to +105°C
Contact Resistance	30 mOHMSmax.	Terminated with	.050" [1.27mm] pitch flat ribbon cable

Products cut to specific sizes are uncancellable/nonreturnable

Parts are subject to change without notice

## IDP-1 SERIES

.100" cl Insulation Displacement Plug

19 APR 07

Scale  
NTS

UNLESS OTHERWISE SPECIFIED  
DIMENSIONS IN INCHES (MM)  
TOLERANCES ARE:  
  
ONE PLACE DECIMALS ±.100  
TWO PLACE DECIMALS ±.010  
THREE PLACE DECIMALS ±.005  
FOUR PLACE DECIMALS ±.002



4235 Earnings Way, New Albany, Indiana, 47150, USA  
1-800-782-3486 (USA/Canada/Mexico)

Tel: 812-944-7244  
Fax: 812-944-7268

E-mail: mle@mlelectronics.com  
Web: www.mlelectronics.com

Edition  
1

Sheet  
1/1